



Product Catalogue And Technical Manual.



ENGINEERED IN KOREA

INFRASTRUCTURE

SAMSUNG Precision Ind. Corp. is a global leader in the field of functional furniture hardware, delivering solutions that combine innovation, durability, and precision. Our product range covers every essential component for kitchens and furniture, including door hinges, drawer dampers, runners and slides, soft-closing systems, system furniture fittings, and roller systems for windows. Every IREX product is engineered and manufactured under strict quality controls to ensure long-lasting performance and reliable functionality. With certifications from ISO 9001, RRA, LGA, KSA, and the United States Testing Company, we guarantee consistent excellence that meets the highest international standards.

With decades of expertise and a commitment to precision, SAMSUNG Precision Ind. Corp. continues to set benchmarks in premium hardware solutions that enhance the way people live and work.



In 1979, Mr Pyo pioneered the furniture hardware business in Korea and kickstarted the Industry by developing and patenting the first hinge mechanisms in Korea. Samsung Irex is fastest growing company and won awards after awards from the Korean government. With this heritage, we our successfully established this company as the **Number 1 Furniture Hardware company of South Korea**, with presence in over 29 Countries. With over 65 Patents in product technologies, Samsung Irex has become a renowned name in **Asia Pacific** region synonymous with Quality.

Your Trusted Partner for 45+ Years

For nearly half a century, Samsung Irex has built a legacy of innovation and expertise in furniture fittings and hardware. Our patented **IREX** system, born from extensive technical and manufacturing know-how, delivers solutions that consistently exceed market demands. Boasting the industry's most comprehensive portfolio, we provide meticulously engineered products, crafted to the highest quality standards. Our commitment to excellence is validated by certifications from prestigious institutions including **ISO 9001, FIRA, LGA, KSA, and the United States Testing Company**.

VISION

To become India's most valued & profitable sales channel & help our partners build their business.



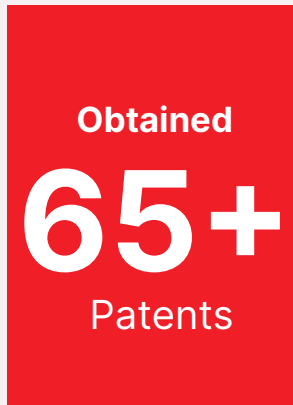
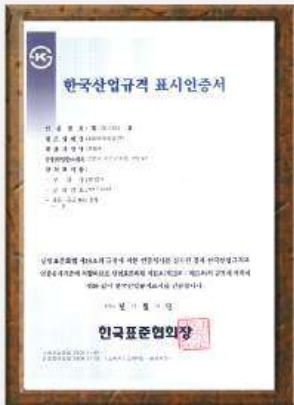
MISSION

By providing an outstanding selection of premium products and adding value to our partners.



THE WINNING HONOUR

GERMANY, UK, KOREA, INDIA



DISTRIBUTION NETWORK

Samsung Irex proudly stands as a **global leader in furniture hardware solutions**, with a presence in 29 countries across Asia, Europe, and beyond. Our international footprint reflects our commitment to innovation, quality, and customer satisfaction on a worldwide scale. In India, our reach extends to **all 28 states**, enabling us to provide consistent service, timely deliveries, and localised support to architects, designers, and manufacturers across the country. This extensive network ensures that wherever your project is, Samsung Irex is right there with you offering world-class hardware solutions backed by decades of expertise.

Global presence in

29+
countries.

Our reach in India

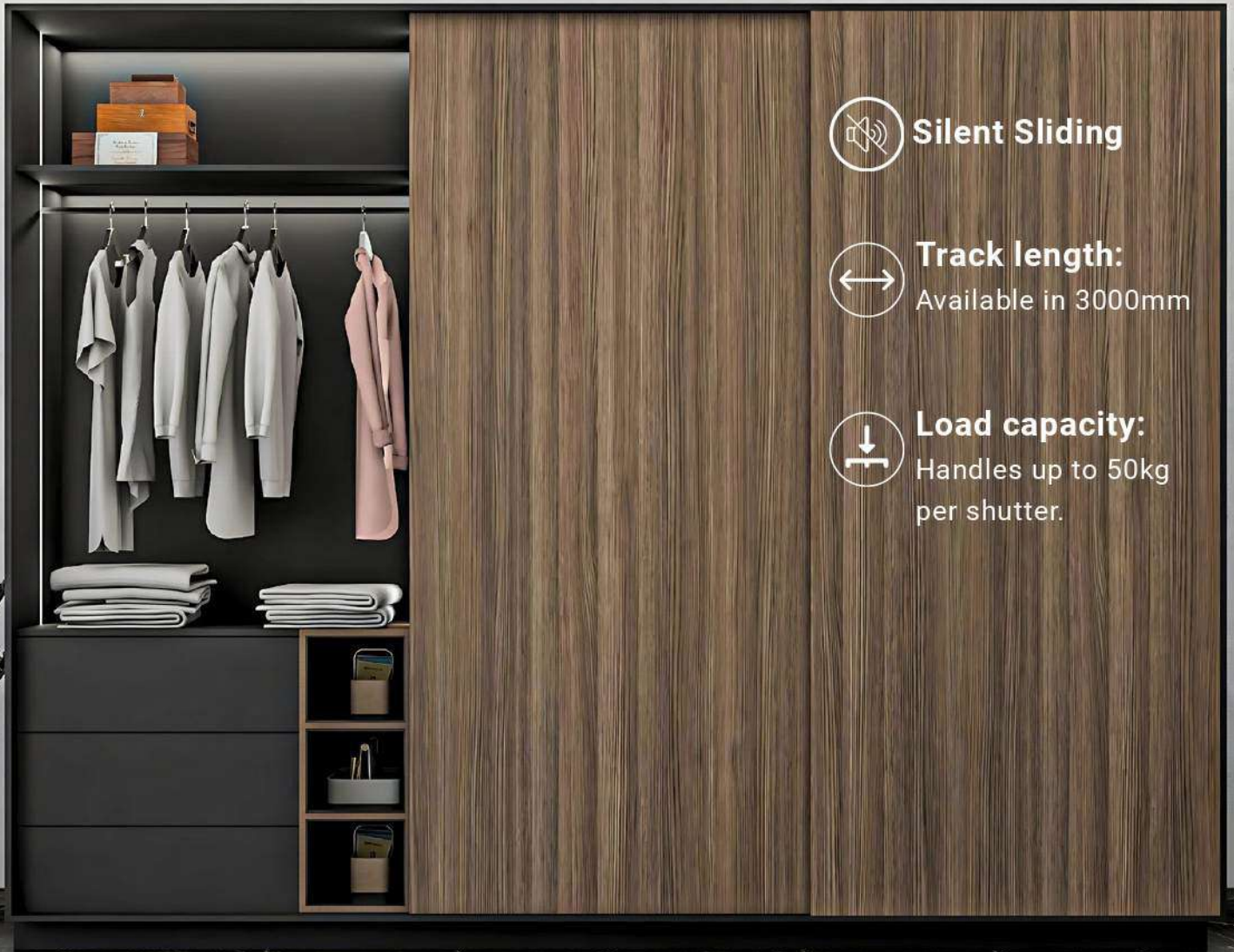
28
states.



Pluto Sliding Solution

Designed for 3-door wardrobes with soft-close on both sides

(The only fitting in the market offering a soft-closing dampener for the center panel)



Silent Sliding



Track length:

Available in 3000mm



Load capacity:

Handles up to 50kg
per shutter.

TABLE OF CONTENT

1. HINGES 550 SERIES 570 SERIES 135 SERIES	11-13	13. GENERAL HARDWARE BUTT HINGES BED FITTINGS LOCKS MAGNETIC CATCHER SHELF SUPPORT PVC LEGS CONNECTING FITTINGS PLINTH	100-102
2. HINGES SOFT CLOSE 975 SERIES (SEON HINGE) 575 SERIES 775 SERIES THICK DOOR HINGE 855 SERIES 595 SERIES PROFILE HINGE 575 HINGE (SS) 375 LSHN/OSD 1775 SERIES	17-30	14. ALUMINIUM PROFILE F PROFILE J GOLA PROFILE C GOLA PROFILE L PROFILE 22 MM FRAME 22 MM F HANDLE G PROFILE 45 MM FRAME 45 MM L HANDLE 50 MM FRAME 50 MM I HANDLE J PROFILE 45 MM I HANDLE	106-107
3. BALL BEARING SLIDE ZINC FINISH BLACK FINISH DAMPING SLIDE P20 SLIDE	34-37	15. OSJANG SERIES JEWELLERY BOX TROUSER RACK RATTAN STORAGE BASKET SHOE RACKS WARDROBE LIFT WARDROBE TUBE REVOLVING SHOE RACK DIGITAL LOCKER SLIDING PUSH TO OPEN FITTING	111-131
4. UNDER RAIL PART EXTENSION FULL EXTENSION	40-42	16. POCKET SLIDES	134-135
5. DRAWER SYSTEM: HANA SERIES HANA CUBE HANA BOX	45-57	17. Lift Up Fittings	138
6. DRAWER SYSTEM: IREX SERIES IREX CUBE IREX BOX	60-65		
7. INTERNAL ACCESSORIES	68-69		
8. PVC CUTLERY	72		
9. GAS SHOCK ABSORBER	76-77		
10. WIRE ACCESSORIES BASKETS TROLLEYS PULL OUT PARTITION DIVIDER 3/4TH WIRE CAROUSEL OTHER ACCESSORIES	80-83		
11. KUM SERIES GLASS BOTTLE PULL OUT TANDEM BOTTLE PULL OUT GLASS PANTRY PULL OUT TANDEM GALLERY PULL OUT SWING TRAY MAGIC CORNER	86-88		
12. BAEKUM SERIES STAINLESS STEEL DISH RACK DIAMOND PANTRY PULL OUT PREMIUM BOTTLE PULL OUT WASTE BIN PLATE RACK SS CUTLERY ANTI BACTERIAL MAT CORNER SOLUTIONS ROLLING SHUTTER	92-97		



मानक: पथप्रदर्शकः

IS 18297 : 2023



CM/L-4100230258

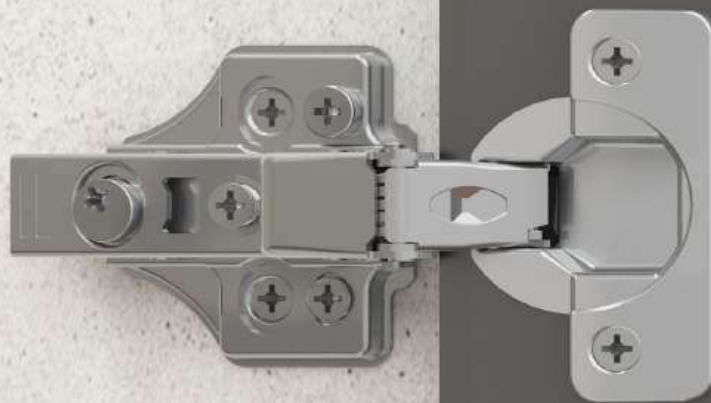
For BIS certification information,
Please visit www.bis.gov.in

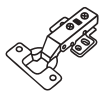
BIS Certified

HINGES

550 SERIES | 570 SERIES | 135 SERIES

Experience the next level of precision and performance with **Hinges** by Samsung Irex. Engineered with cutting-edge technology and premium materials, our hinges offer unmatched durability and smooth functionality, ensuring silent, effortless opening and closing of doors and cabinets.





HINGES

550 SERIES

SLIDE ON HINGE- OPENING ANGLE 95°



1010550 | Full Overlay- 0 Crank



1010560 | Half Overlay- 9 Crank

Features

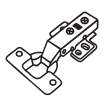
- Metal hinge
- Nickel plated
- Opening angle 95°
- Self-closing with spring
- Spring type: strong spring (N & W type)



1010568 | Inset- 18 Crank

CUP DIMENSION	45/9.5	48/6	52/5.5
CUP SPACING	45/9.5	48/6	52/5.5
	Item No. 550SBN	Item No. 550SCN	Item No. 550SHN
	Item No. 560SBN	Item No. 560SCN	Item No. 560SHN
	Item No. 568SBN	Item No. 568SCN	Item No. 568SHN

ARTICLE CODE	DESCRIPTION	QTY.	UNIT	PU
1010550	Full Overlay- 0 Crank	1	Pair	50
1010560	Half Overlay- 9 Crank	1	Pair	50
1010568	Inset- 18 Crank	1	Pair	50



570 SERIES

CLIP ON HINGE- OPENING ANGLE 110°



1010570 | Full Overlay- 0 Crank



1010580 | Half Overlay- 9 Crank

Features

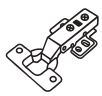
- Metal: Steel
- Nickel plated
- Opening angle 110°
- Self-closing with spring (Standard type)



1010588 | Inset- 18 Crank

CUP DIMENSION	45/9.5	48/6	52/5.5
CUP SPACING	45/9.5	48/6	52/5.5
 Full Overlay Cranking 0 mm	Item No. 570SB	Item No. 570SC	Item No. 570SH
 Half Overlay Cranking 9 mm	Item No. 580SB	Item No. 580SC	Item No. 580SH
 Inset Cranking 18 mm	Item No. 588SB	Item No. 588SC	Item No. 588SH

ARTICLE CODE	DESCRIPTION	QTY.	UNIT	PU
1010570	Full Overlay- 0 Crank	1	Pair	50
1010580	Half Overlay- 9 Crank	1	Pair	50
1010588	Inset- 18 Crank	1	Pair	50




135 SERIES 135° PIE CUT HINGE

Features

- Hinge for corner door
- For blind corner door thickness of 14–22 mm
- Cup diameter: 35 mm
- Cup depth: 11.5 mm
- Closing degree: 135°
- Hinge arm material: steel / zinc alloy, nickel plated
- Hinge cup material: steel, nickel plated



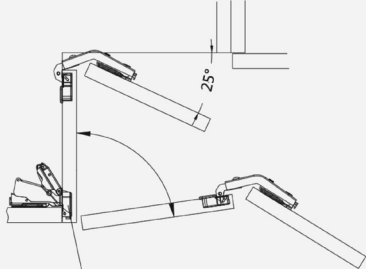
ARTICLE CODE	DESCRIPTION	QTY.	UNIT	PU
1010135	Pie Cut	1	Pair	50




- Full overlay

Arm installation/Adjustment	Item No.
Slide on	135°
Clip on with cam adjust	135°
Additional Function	Item No.
No damper	ND

Application



Use for folding door
use with W series 155 degree or 165 degree

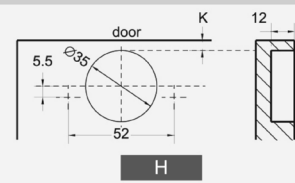
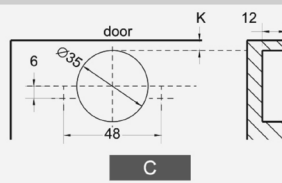
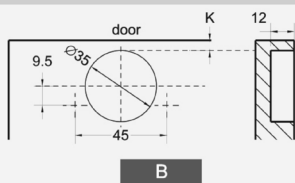


Standard package (PCS/CTN)

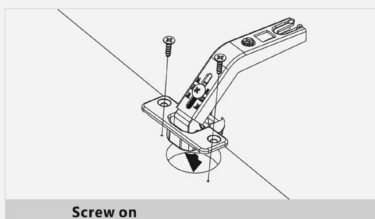
Hinge body with plate	100
Hinge body without plate	200

Customize package available

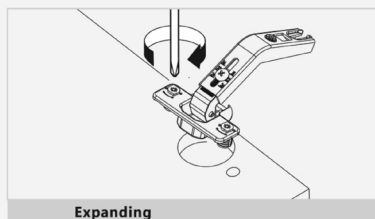
Drilling for Cup



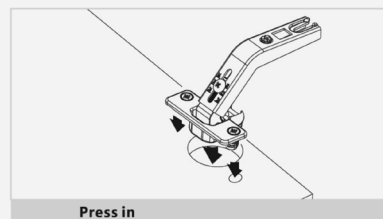
Cup Installation



Wood screws
Euro screws



Ø8mm expansive dowel
Ø10mm expansive dowel



Ø8mm dowel
Ø10mm dowel

HINGES

SOFT CLOSE

975 SERIES (SEON HINGE) | 575 SERIES | 775 SERIES
THICK DOOR HINGE | 855 SERIES | 595 SERIES
PROFILE HINGE | 575 HINGE (SS) | 375 SERIES
1775 SERIES

Soft closing function integrated on concealed hydraulic cabinet hinge plays an important role in the closing process of cupboard doors, helping it close gently and avoiding noise.





975 SERIES SEON HINGE



Features

- Soft close hinge with clip-on LINEAR mounting plate
- 105° opening angle for door thickness of 14–24mm
- Metal material, Cu-Nickel/Cu-Black Nickel plated.
- Integrated steel mini damper soft close system
- Small angle soft close
- 3-Dimensional adjustment (with linear mounting plate)
- Easy assembly as well as an attractive design



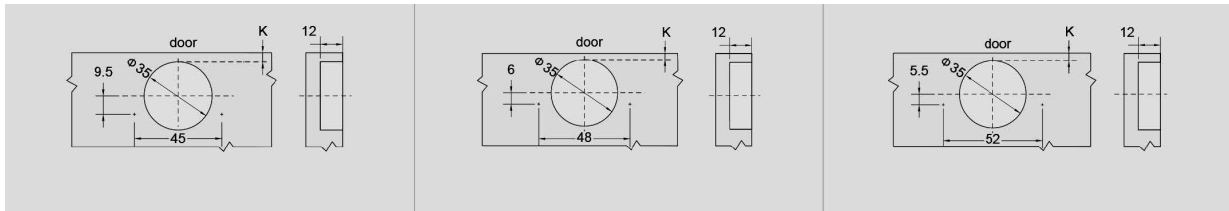
ARTICLE CODE	DESCRIPTION	QTY.	UNIT	PU
1010975	Full Overlay- 0 Crank	1	Pair	50
1010976	Half Overlay- 9 Crank	1	Pair	50
1010977	Inset- 18 Crank	1	Pair	50



Arm Installation/ Adjustment

Full Overlay		Half Overlay		Inset	
Arm installation/Adjustment	Item No.	Arm installation/Adjustment	Item No.	Arm installation/Adjustment	Item No.
Clip on		Clip on		Clip on	
Clip on with cam adjust		Clip on with cam adjust		Clip on with cam adjust	

Drilling for cup



Cup Installation

Screw on	Expanding	Knock-in	Toolless fast fixed cup
Wood screws	Ø 8mm expansive dowel	Ø 8mm dowel	8mm expanding dowels cover toolless fast fixed cup
Euro screws	Ø 10mm expansive dowel	Ø 10mm dowel	

Overlay Table

Full Overlay	Half Overlay	Inset																																										
<p>$H=14+K-D$</p> <table border="1"> <tr> <td>$\frac{D}{H}$</td> <td>K</td> <td>3</td> <td>4</td> <td>5</td> <td>6</td> <td>7</td> </tr> <tr> <td>0</td> <td></td> <td>17</td> <td>18</td> <td>19</td> <td>20</td> <td>21</td> </tr> </table>	$\frac{D}{H}$	K	3	4	5	6	7	0		17	18	19	20	21	<p>$H=4+K-D$</p> <table border="1"> <tr> <td>$\frac{D}{H}$</td> <td>K</td> <td>3</td> <td>4</td> <td>5</td> <td>6</td> <td>7</td> </tr> <tr> <td>0</td> <td></td> <td>7</td> <td>8</td> <td>9</td> <td>10</td> <td>11</td> </tr> </table>	$\frac{D}{H}$	K	3	4	5	6	7	0		7	8	9	10	11	<p>$H=-4+K+A$</p> <table border="1"> <tr> <td>$\frac{A}{H}$</td> <td>K</td> <td>3</td> <td>4</td> <td>5</td> <td>6</td> <td>7</td> </tr> <tr> <td>0</td> <td></td> <td>1</td> <td>0</td> <td>-1</td> <td>-2</td> <td>-3</td> </tr> </table>	$\frac{A}{H}$	K	3	4	5	6	7	0		1	0	-1	-2	-3
$\frac{D}{H}$	K	3	4	5	6	7																																						
0		17	18	19	20	21																																						
$\frac{D}{H}$	K	3	4	5	6	7																																						
0		7	8	9	10	11																																						
$\frac{A}{H}$	K	3	4	5	6	7																																						
0		1	0	-1	-2	-3																																						

Mountain Plate Installation

Screw on	Knock-in	Height	H=0
Wood screws	Ø 8mm dowel	Item code	DC0085
	Ø 10mm dowel		



Minimum Reveal Table

A	T	14	15	16	17	18	19	20	21	22
3	0.3	0.5	0.7	0.9	1.2	1.5	1.8	2.2	2.6	
4	0.3	0.5	0.7	0.9	1.1	1.4	1.8	2.1	2.5	
5	0.2	0.4	0.6	0.9	1.1	1.4	1.7	2.0	2.4	
6	0.2	0.4	0.6	0.8	1.1	1.3	1.6	2.0	2.4	
7	0.2	0.4	0.5	0.8	1.0	1.3	1.6	1.9	2.3	

L	T	14	15	16	17	18	19	20	21	22
3	1.0	1.0	1.0	1.0	1.0	1.0	1.0	1.0	1.0	1.0
4	1.0	1.0	1.0	1.0	1.0	1.0	1.0	1.0	1.0	1.2
5	1.0	1.0	1.0	1.0	1.0	1.3	1.5	1.8	2.0	
6	1.0	1.3	1.5	1.8	2.0	2.3	2.5	2.8	3.0	
7	2.0	2.3	2.5	2.7	3.0	3.2	3.5	3.7	3.9	

K= Boring distance

T= Door thickness

A=Minimum gap (A) for door with a door edge radius

L= Gap between door and panel

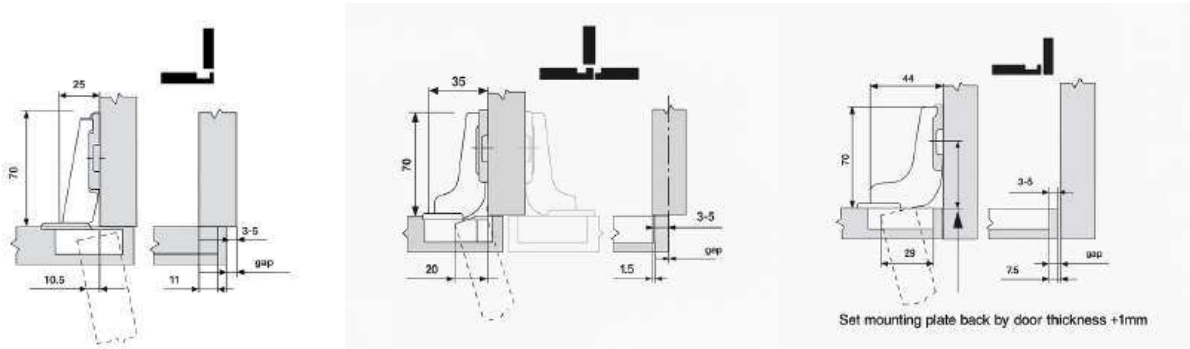
Note: above parameter based on the door edge is right-angle side, if the door is round corner edge, the parameter value will be reduce according to the edge size.

Hinge Adjustment

Depth Adjustment	Overlay Adjustment	Height Adjustment
Rotate depth screw to adjust door gap. Adjust range : 4.8mm (cam screw) 5mm (depth screw)	Rotate lateral screw to increase or decrease door overlay. Adjust range : 6mm	Linear mounting plate height adjust range 4mm

INSTALLATION DIMENSIONS

Hinge dimensions and gap calculation based on factory setting (mounting plate spacing= 0-9 mm) Hinge and door protrusion of full opening angle.



	minimum gap requirement in mm
drilling dist : from 3mm to 5mm	0.8 1.4 1.8 2.2 3.1 4.5
Door thickness in mm	0.8 1.3 1.5 1.9 2.7 3.8
	A trial application is recommended

The above figures are based on doors with radiused edges (R=1mm)

Full Overlay										Half Overlay										Inset							
A	11	12	13	14	15	16	17	18	19	H	A	1.5	2.5	3.5	4.5	5.5	6.5	7.5	8.5	9.5	H	A	-2.5	-1.5	-0.5	0.5	H
					3	4	5	6	0							3	4	5	6	0		3	4	5	6	0	
B			3	4	5	6			3	B			3	4	5	6				3	B					3	
	3	4	5	6					5		3	4	5	6					5						5		

A : Door overlay
B : Drilling distance
H : Mounting plate height



HINGES SOFT CLOSE

575 SERIES

SOFT CLOSING HINGE(CLIP ON)- OPENING ANGLE 110°



1011575 | Full Overlay- 0 Crank



1011576 | Half Overlay- 9 Crank

Features

- Metal hinge
- Nickel plate
- Opening angle 110°
- Self-closing with spring (Standard type)
- 2-dimensional adjustment (with relevant mounting plate)
- Damper integrated in the hinge body



1011577 | Inset- 18 Crank

CUP DIMENSION	45/9.5	48/6	52/5.5
CUP SPACING	45/9.5	48/6	52/5.5
Full Overlay Cranking 0 mm	Item No. 575DSB	Item No. 575DSC	Item No. 575DSH
Half Overlay Cranking 9 mm	Item No. 576DSB	Item No. 576DSC	Item No. 576DSH
Inset Cranking 18 mm	Item No. 577DSB	Item No. 577DSC	Item No. 577DSH

ARTICLE CODE	DESCRIPTION	QTY.	UNIT	PU
1011575	Full Overlay- 0 Crank	1	Pair	50
1011576	Half Overlay- 9 Crank	1	Pair	50
1011577	Inset- 18 Crank	1	Pair	50



775 SERIES

SOFT CLOSING HINGE(CLIP ON)- OPENING ANGLE 110°



Features

- Opening angle 110°
- Self-closing with spring (Standard type)
- 3-dimensional adjustment (with relevant mounting plate)
- Suitable for cam mounting plates
- Damper integrated in the hinge body



CUP DIMENSION	45/9.5	48/6	52/5.5
CUP SPACING	45/9.5	48/6	52/5.5
 Full Overlay Cranking 0 mm	Item No. 775DSB	Item No. 775DSC	Item No. 775DSH
 Half Overlay Cranking 9 mm	Item No. 776DSB	Item No. 776DSC	Item No. 776DSH
 Inset Cranking 18 mm	Item No. 777DSB	Item No. 777DSC	Item No. 777DSH

ARTICLE CODE	DESCRIPTION	QTY.	UNIT	PU
1010775	Full Overlay- 0 Crank	1	Pair	50
1010776	Half Overlay- 9 Crank	1	Pair	50
1010777	Inset- 18 Crank	1	Pair	50



THICK DOOR HINGE(40 mm) SOFT CLOSE OPENING ANGLE 95°



Features

- Opening angle 95°
- Self-closing with spring (Standard type)
- 3-Dimensional adjustment (with relevant mounting plate)
- Suitable for cam mounting plates
- Damper integrated in the hinge body



ARTICLE CODE	DESCRIPTION	QTY.	UNIT	PU
1011775	Full Overlay- 0 Crank	1	Pair	50
1011776	Half Overlay- 9 Crank	1	Pair	50
1011777	Inset- 18 Crank	1	Pair	50

H=Height of mounting plate

D=Distance by which the door over the side board

K=Distance between edge of door and edge of cup hole

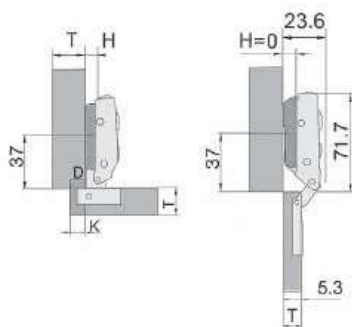
A=Reveal between door and side board

■ CA: one way closing

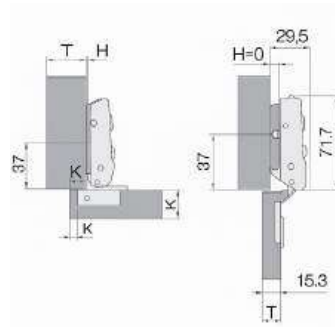
■ CL: two way closing

■ cold rolled steel

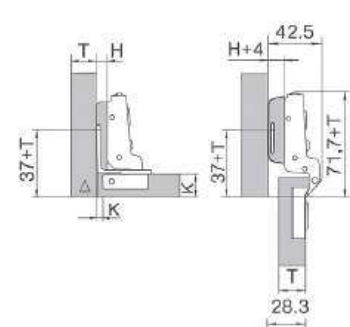
775D(40) H=19+K-D



776D(40) H=9+K-D



777D(40) H=A+K



D overlay, A Reveal Calculation Table

Cranking: 0mm

D	H	K	3	4	5	-	15
0	22	23	24	-	34		
2	20	21	22	-	32		
4	18	19	20	-	30		

Cranking: 10mm

D	H	K	3	4	5	-	15
0	12	13	14	-	24		
2	10	11	12	-	22		
4	8	9	10	-	20		

Cranking: 19mm

A	H	K	3	4	5	6	7
4	1	0	-1	-2	-3		



855 SERIES

WIDE ANGLE CLOSING HINGE(CLIP ON)- OPENING ANGLE 165°

Features

- Metal hinge
- Nickel plated
- Opening angle 165°
- Self-closing with spring (Standard type)
- 3-Dimensional adjustment(with relevant mounting plate)
- Damper integrated in the hinge body



CUP DIMENSION	45/9.5	48/6	52/5.5
CUP SPACING	45/9.5	48/6	52/5.5
 Full Overlay Cranking 0 mm	Item No. 855DSB	Item No. 855DSC	Item No. 855DSH

ARTICLE CODE	DESCRIPTION	QTY.	UNIT	PU
1010855	Full Overlay- 0 Crank	1	Pair	25




595 SERIES 90° BLIND CORNER HINGE

Features

- Concealed hinge clip on with integrated silent system
- For blind corner door thickness of 14–22mm
- Cup diameter: 35mm
- Cup depth: 11.5mm
- Closed degree: 90°
- Hinge arm material: steel, nickel plated / zinc
- Hinge cup material: steel, nickel plated



ARTICLE CODE	DESCRIPTION	QTY.	UNIT	PU
1010595	Full Overlay- 0 Crank	1	Pair	25

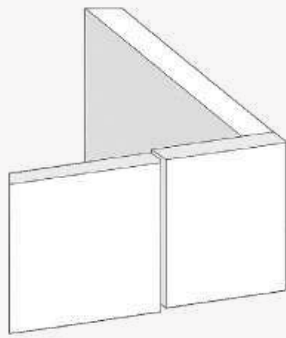
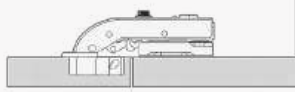


- Full overlay

Arm installation/Adjustment	Item No.
Clip on zinc arm	slide on
Clip on with cam adjust (steel arm)	clip on
Clip on with cam adjust (zinc arm)	cam

Additional Functions	Item No.
No damper	ND
Push to open	PO

Application

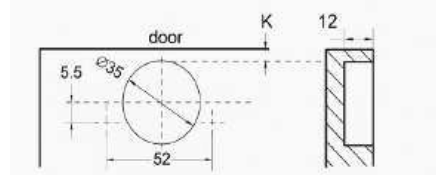
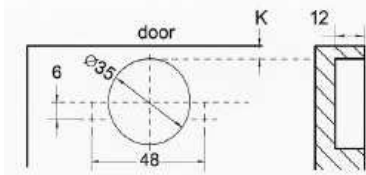
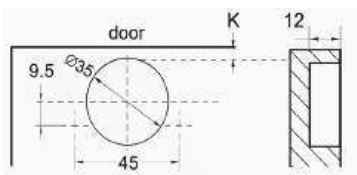



Standard package (PCS/CTN)

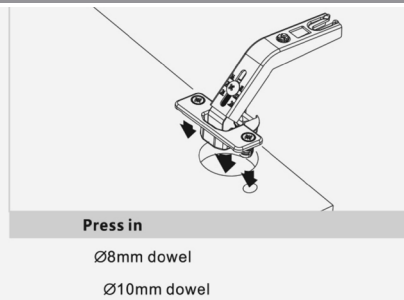
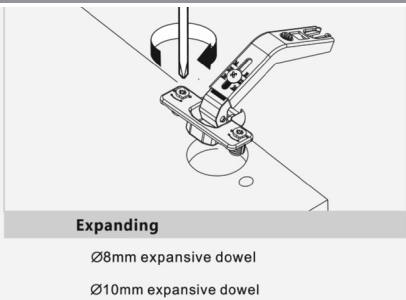
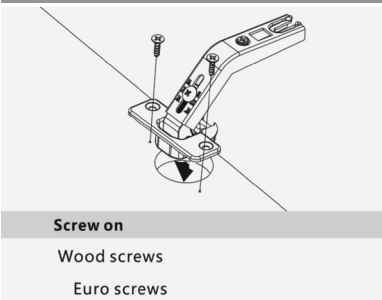
Hinge body with plate	100
Hinge body without plate	200

Customize package available

Drilling for cup



Drilling for cup





PROFILE HINGES



1012575 | Full Overlay 0 crank



775DSFN | OSC

Features

- Hydraulic hinge
- Detachable base
- Opening angle: 95°
- Aluminum profile specifications: 19–25mm
- Main material: Cold-rolled steel
- Finish: Nickel plated
- Packing: 100 or 200 pcs/CTN

ARTICLE CODE	DESCRIPTION	QTY.	UNIT	PU
1012575	Full Overlay- 0 Crank	1	Pair	25

Installation Parameters

D \ V	19	20	21	22	23	24	25
H=0	17	18	19	20	21	22	23
H=2	15	16	17	18			
H=4	13	14	15	16			

D \ V	19	20	21	22
H=0	8	9	10	11
H=2	6	7	8	9
H=4	4	5	6	7

A \ K	3	4	5
H=0	-2.5	-1.5	-0.5

Full overlay

Half overlay

Embed

D= Door panel coverage distance

H= Hinge base height

A= Door panel clearance

V= Aluminium profile thickness

T= Aluminium profile thickness



575 SERIES STAINLESS STEEL HINGE



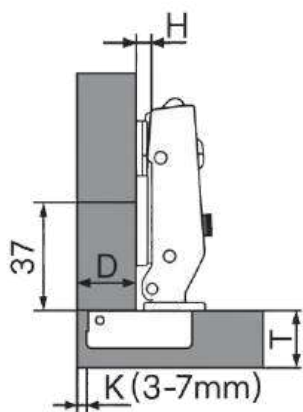
Features

- Cup diameter: 35mm
- Cup depth: 11.8mm
- Max. opening angle: 105°
- Door drilling distance (k): 3-7 mm
- Thickness of doort): 16-26mm
- Material for cup: stainless steel
- Material for arm: stainless steel
- Material for mounting plate: stainless steel
- Optional material: 201/304

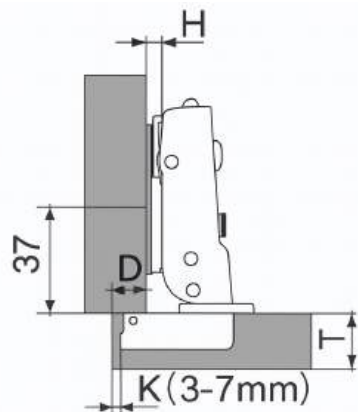


ARTICLE CODE	DESCRIPTION	QTY.	UNIT	PU
1013575	Full Overlay - 0 Crank	1	Pair	50
1013576	Half Overlay - 9 Crank	1	Pair	50
1013577	Inset - 18 Crank	1	Pair	50

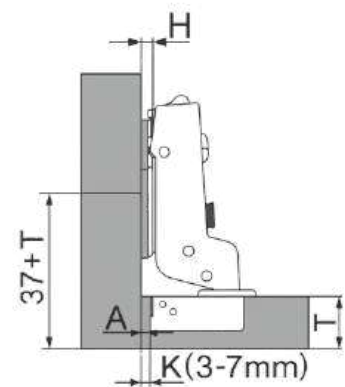
$H=14+K-D$



$H=4+K-D$



$H=A+K-5$



K	3	4	5	6	15
H	0	17	18	19	20
	2	15	16	17	18

K	3	4	5	6	7
H	0	7	8	9	10
	2	5	6	7	8

A	K	3	4	5	6	15
H		0	2	1	0	-1
		2	4	3	2	1



Hinge Adjustment

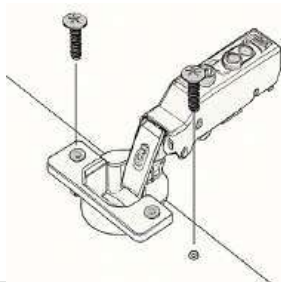
Depth adjustment
Adjust the near screw to adjust the cabinet door clearance
Total adjustment: 7mm

Horizontal adjustment
Rotate the adjusting screw to increase or decrease the door panel coverage
Total adjustment: 8mm

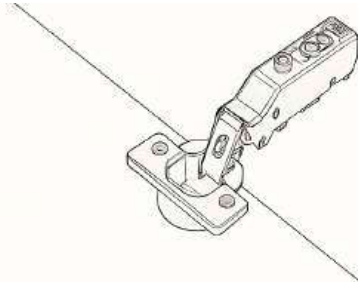
Height adjustment
It is adjusted by a base mounted on the side plate

Suggestion: the adjustment parameters are the product design parameters. The actual size of this cabinet and the drilling and installation methods may have an impact on the parameters.

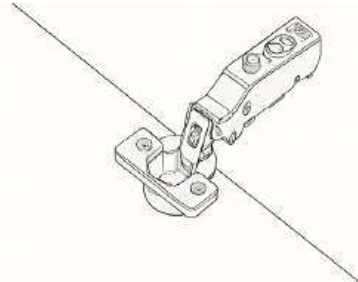
Cup Installation



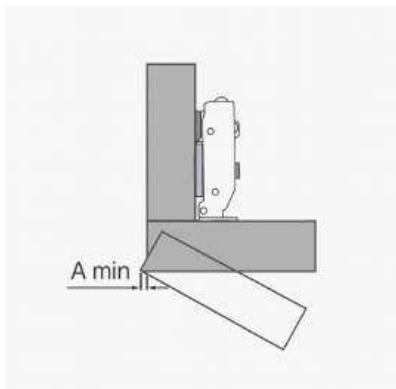
Screw on



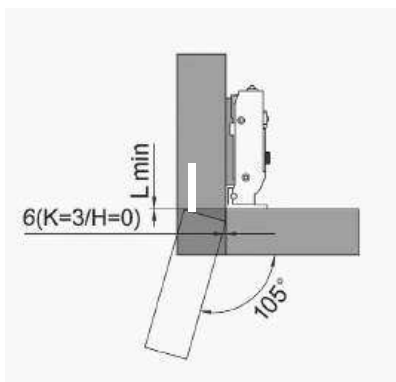
Knock in



Expanding



A	16	17	18	19	20	21	22	23	24	25	26
3	0.60	0.80	1.03	1.42	2.02	2.49	2.99	3.61	4.34	5.12	5.95
4	0.60	0.80	1.03	1.35	2.23	2.23	2.68	3.22	3.88	4.62	5.42
5	0.56	0.74	0.96	1.28	1.66	2.01	2.41	2.89	3.49	4.78	4.94
6	0.49	0.68	0.88	1.20	1.48	1.80	2.18	2.61	3.15	3.78	4.50
7	0.43	0.63	0.82	1.07	1.30	1.62	1.96	2.36	2.85	3.44	4.11



L	16	17	18	19	20	21	22	23	24	25	26
3	1.0	1.0	1.0	1.0	1.0	1.0	1.0	1.0	1.2	1.4	1.7
4	1.0	1.0	1.0	1.0	1.1	1.4	1.7	1.9	2.2	2.4	2.7
5	1.1	1.4	1.6	1.9	2.1	2.4	2.7	2.9	3.2	3.4	3.7
6	2.1	2.4	2.6	2.9	3.1	3.4	3.6	3.9	4.2	4.4	4.7
7	3.0	3.3	3.3	3.9	4.1	4.3	4.6	4.9	5.1	5.4	5.6



375 SERIES

3D ERGONOMICAL HINGE



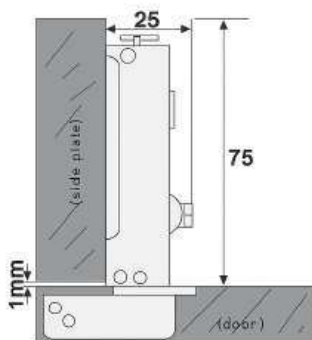
Features

- Finishing - steel electrolysis
- Angle of opening 105°
- Depth of hinge cup 11.5mm
- Diameter of hinge cup 35mm
- Hole spacing 45mm, 48mm, 52mm.
- Range for door thickness 14-18mm

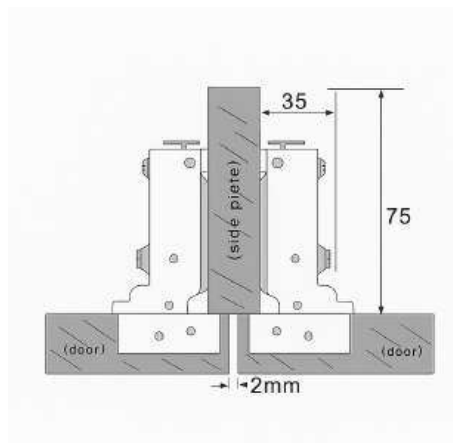


ARTICLE CODE	DESCRIPTION	QTY.	UNIT	PU
1010375	Full Overlay - OSD	1	Pair	50
1010376	Half Overlay - OSD	1	Pair	50
1010377	Inset - OSD	1	Pair	50

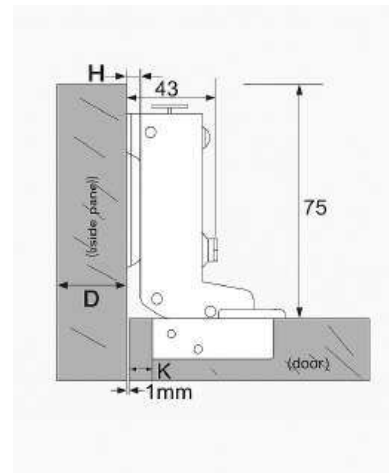
H=13+K-D



H=4+K-D


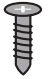
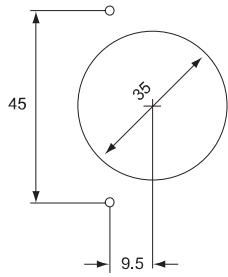
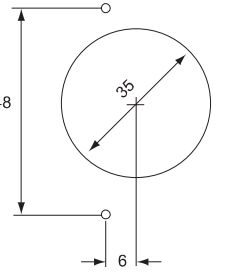
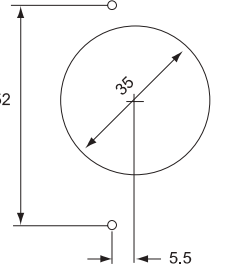


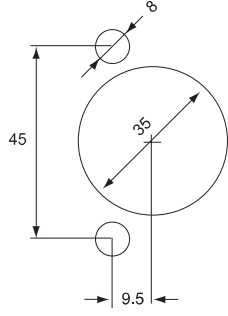
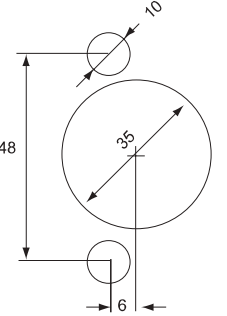
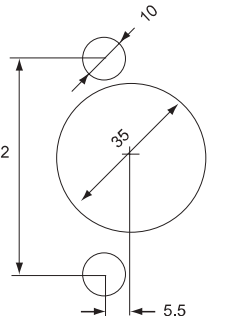


H=13+K-D

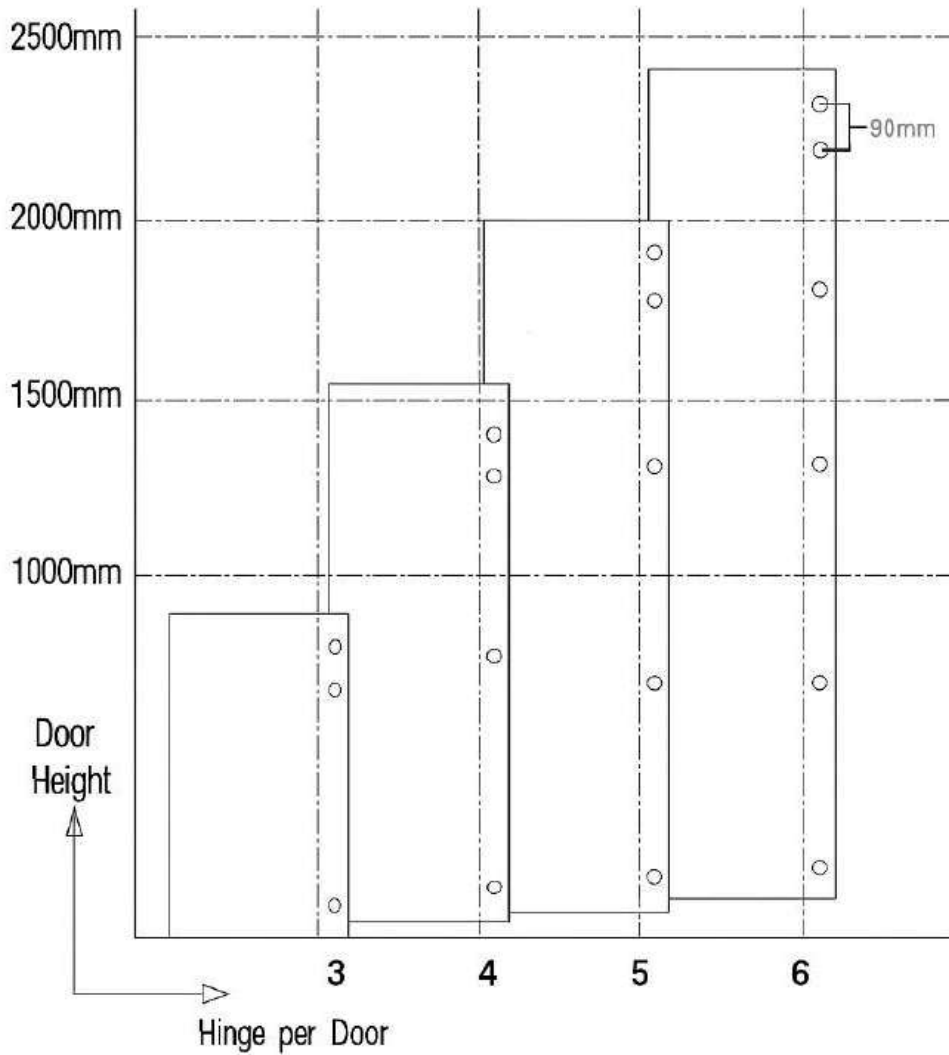


D	K	3	4	5	6	7	H	K	3	4	5	6	7	A	K	3	4	5	6	7
0		16	17	18	19	20	0		7	8	9	10	11	0		2	1	0	-1	-2
2		14	15	16	17	18	2		5	15	16	17	9	2		4	3	2	1	0
4		12	13	14	15	16	4							4		6	5	4	3	2



 SLIDE-ON  Premounted chipboard screws			
 KNOCK-IN  TOOL-FREE			

HINGE APPLICATION TABLE





1775 SERIES SOFT-CLOSING DAMPER INTEGRATED HINGE



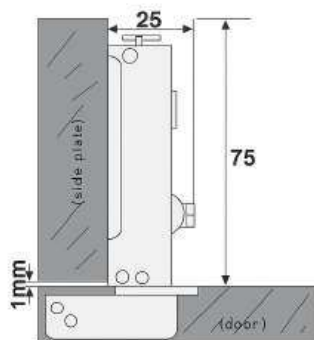
Features

- Finishing - Black
- Angle of opening 105°
- Depth of hinge cup 11.5mm
- Diameter of hinge cup 35mm
- Hole spacing 52mm.
- Range for door thickness 18-24mm

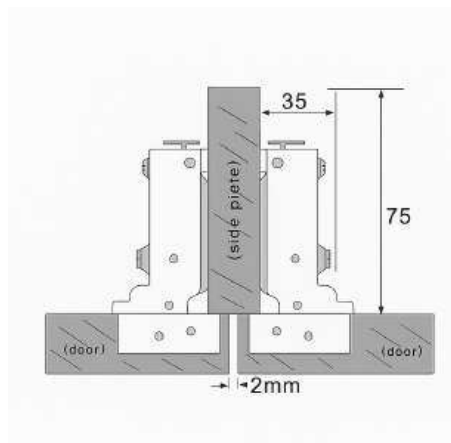


ARTICLE CODE	DESCRIPTION	QTY.	UNIT	PU
1775	Full Overlay - OSD	1	Set	50
1776	Half Overlay - OSD	1	Set	50
1777	Inset - OSD	1	Set	50

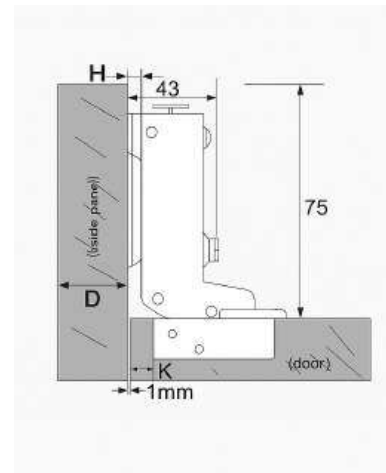
H=13+K-D



H=4+K-D



H=13+K-D



D	K	3	4	5	6	7	H	K	3	4	5	6	7	A	K	3	4	5	6	7
0		16	17	18	19	20	0		7	8	9	10	11	0		2	1	0	-1	-2
2		14	15	16	17	18	2		5	6	7	8	9	2		4	3	2	1	0
4		12	13	14	15	16	4							4		6	5	4	3	2

BALL BEARING SLIDE

ZINC FINISH | BLACK FINISH | DAMPING SLIDE |

P20 SLIDE

Enhance the functionality of your furniture with premium **Ball Bearing Slides** by Samsung Irex. Designed with precision engineering and advanced technology, these slides ensure seamless, smooth, and silent drawer movement – a must-have for modern kitchens, wardrobes, and workspaces.





BALL BEARING SLIDE ZINC FINISH

Features

- Smooth and quiet sliding mechanism with ball bearing technology.
- Durable zinc-plated finish for corrosion resistance.
- Full extension.
- Load capacity: 45kg & 35kg.
- Side-mount installation for standard drawer systems.
- Detachable slide design for easy installation and maintenance.

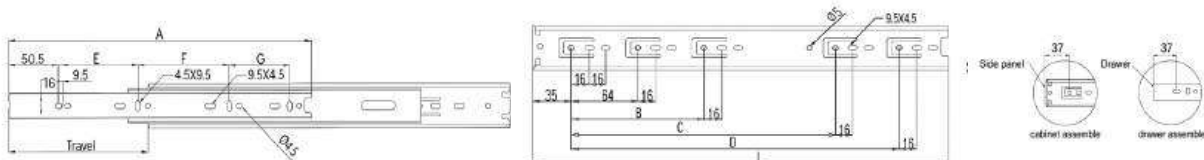


ARTICLE CODE	DESCRIPTION	QTY.	UNIT	PU
1020250	Ball Bearing Slide 250mm (N) 45 Kg	1	Set	10
1020300	Ball Bearing Slide 300mm (N) 45 Kg	1	Set	10
1020350	Ball Bearing Slide 350mm (N) 45 Kg	1	Set	10
1020400	Ball Bearing Slide 400mm (N) 45 Kg	1	Set	10
1020450	Ball Bearing Slide 450mm (N) 45 Kg	1	Set	10
1020500	Ball Bearing Slide 500mm (N) 45 Kg	1	Set	10
1020550	Ball Bearing Slide 550mm (N) 45 Kg	1	Set	10
1020600	Ball Bearing Slide 600mm (N) 45 Kg	1	Set	10

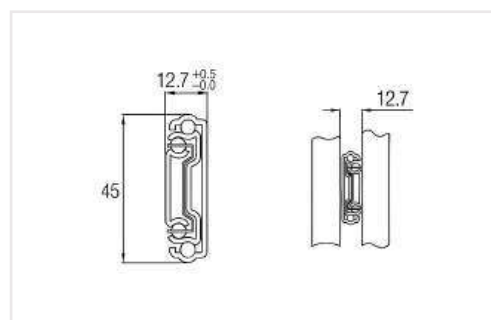
ARTICLE CODE	DESCRIPTION	QTY.	UNIT	PU
1026250	Ball Bearing Slide 250mm (N) 35 Kg	1	Set	15
1026300	Ball Bearing Slide 300mm (N) 35 Kg	1	Set	15
1026350	Ball Bearing Slide 350mm (N) 35 Kg	1	Set	15
1026400	Ball Bearing Slide 400mm (N) 35 Kg	1	Set	15
1026450	Ball Bearing Slide 450mm (N) 35 Kg	1	Set	15
1026500	Ball Bearing Slide 500mm (N) 35 Kg	1	Set	15
1026550	Ball Bearing Slide 550mm (N) 35 Kg	1	Set	15
1026600	Ball Bearing Slide 600mm (N) 35 Kg	1	Set	15

Installation

Size : 250mm~500mm(250mm~550mm)



LENGTH	TRAVEL	A	B	C	D	E	F
250 mm	255	247.5	160	-	-	160	-
300 mm	291	297.5	224	-	-	96	128
350 mm	341	347.5	-	-	224	128	128
400 mm	391	397.5	224	-	302	128	160
450 mm	441	447.5	224	352	-	160	192
500 mm	491	497.5	224	352	-	192	192
550 mm	541	547.5	224	352	416	224	224





BALL BEARING SLIDE **BLACK FINISH**

Features

- Smooth and silent sliding with precision ball bearing mechanism.
- Premium black finish for a sleek, modern appearance.
- Enhanced corrosion resistance and wear protection.
- Side-mount design for easy installation across various drawer types.
- Available in full extension for complete access.
- Load capacity: 45kg & 35kg.
- Scratch-resistant surface maintains over time.

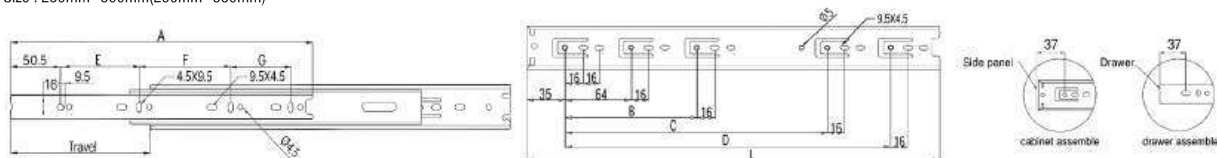


ARTICLE CODE	DESCRIPTION	QTY.	UNIT	PU
1021250	Ball Bearing Slide 250mm (N) 45 Kg	1	Set	10
1021300	Ball Bearing Slide 300mm (N) 45 Kg	1	Set	10
1021350	Ball Bearing Slide 350mm (N) 45 Kg	1	Set	10
1021400	Ball Bearing Slide 400mm (N) 45 Kg	1	Set	10
1021450	Ball Bearing Slide 450mm (N) 45 Kg	1	Set	10
1021500	Ball Bearing Slide 500mm (N) 45 Kg	1	Set	10
1021550	Ball Bearing Slide 550mm (N) 45 Kg	1	Set	10
1021600	Ball Bearing Slide 600mm (N) 45 Kg	1	Set	10

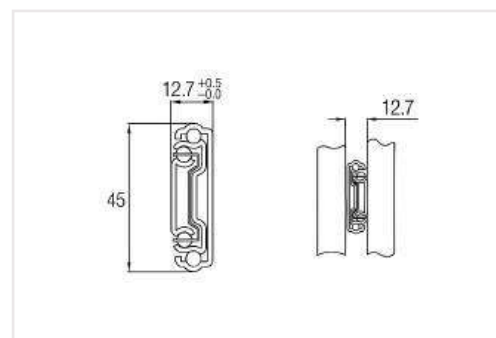
ARTICLE CODE	DESCRIPTION	QTY.	UNIT	PU
1027250	Ball Bearing Slide 250mm (N) 35 Kg	1	Set	15
1027300	Ball Bearing Slide 300mm (N) 35 Kg	1	Set	15
1027350	Ball Bearing Slide 350mm (N) 35 Kg	1	Set	15
1027400	Ball Bearing Slide 400mm (N) 35 Kg	1	Set	15
1027450	Ball Bearing Slide 450mm (N) 35 Kg	1	Set	15
1027500	Ball Bearing Slide 500mm (N) 35 Kg	1	Set	15
1027550	Ball Bearing Slide 550mm (N) 35 Kg	1	Set	15
1027600	Ball Bearing Slide 600mm (N) 35 Kg	1	Set	15

Installation

Size : 250mm~500mm(250mm~550mm)



LENGTH	TRAVEL	A	B	C	D	E	F
250 mm	255	247.5	160	-	-	160	-
300 mm	291	297.5	224	-	-	96	128
350 mm	341	347.5	-	-	224	128	128
400 mm	391	397.5	224	-	302	128	160
450 mm	441	447.5	224	352	-	160	192
500 mm	491	497.5	224	352	-	192	192
550 mm	541	547.5	224	352	416	224	224





DAMPING BALL BEARING SLIDE

Features

- Integrated damping system for smooth and soft closing.
- Ball bearing mechanism ensures silent and effortless gliding.
- Reduces impact noise and extends drawer life.
- Full extension allows easy access to the entire drawer.
- Load capacity: 35kg.
- Side-mount design suitable for various drawer types.
- Durable construction with corrosion-resistant coating (zinc finish).
- Easy installation with detachable inner rail.
- Ideal for premium kitchen, wardrobe, and office furniture applications.

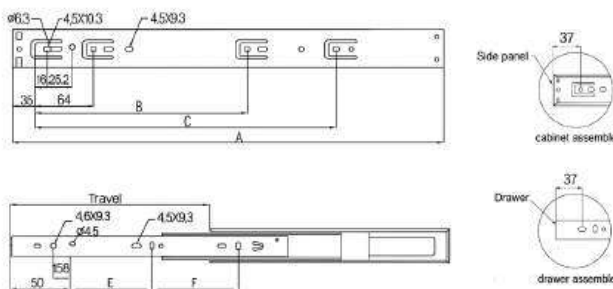


ARTICLE CODE	DESCRIPTION	QTY.	UNIT	PU
1022300	Damping Ball Bearing Slide 300mm (S/C) 35 Kg	1	Set	10
1022350	Damping Ball Bearing Slide 350mm (S/C) 35 Kg	1	Set	10
1022400	Damping Ball Bearing Slide 400mm (S/C) 35 Kg	1	Set	10
1022450	Damping Ball Bearing Slide 450mm (S/C) 35 Kg	1	Set	10
1022500	Damping Ball Bearing Slide 500mm (S/C) 35 Kg	1	Set	10
1022550	Damping Ball Bearing Slide 550mm (S/C) 35 Kg	1	Set	10

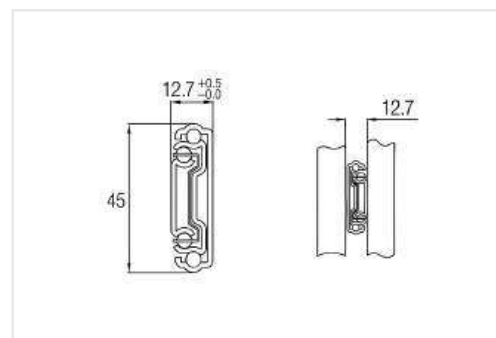
Installation

Size : 300mm~600mm(damping 300mm~600mm) - NEW TYPE

※ Caution – carefully fixing the bolt as of dwg.



LENGTH	A	TRAVEL	B	C	E	F
300 mm	300	300	-	-	96	96
350 mm	350	350	160	-	96	96
400 mm	400	400	224	-	160	120
450 mm	450	450	224	-	160	160
500 mm	500	500	224	320	224	160
550 mm	550	550	224	352	224	192





P20 BALL BEARING SLIDE

Features

- Reduces impact noise and extends drawer life.
- Full extension allows easy access to the entire drawer.
- Load capacity: 30kg.
- Side-mount design suitable for various drawer types.
- Durable construction with corrosion-resistant coating (zinc finish).
- Easy installation with detachable inner rail.
- Ideal for making handleless drawers.



ARTICLE CODE	DESCRIPTION	QTY.	UNIT	PU
1025300	Push to open BBS 300 mm 30 Kg	1	Set	10
1025350	Push to open BBS 350 mm 30 Kg	1	Set	10
1025400	Push to open BBS 400 mm 30 Kg	1	Set	10
1025450	Push to open BBS 450 mm 30 Kg	1	Set	10
1025500	Push to open BBS 500 mm 30 kg	1	Set	10

ITEM NO.	Hole Pattern					
	A	B	C	D	E	F
SSP-B-300mm	300	64			96	128
SSP-B-350mm	350	64	96		128	128
SSP-B-400mm	400	64	160		128	160
SSP-B-450mm	450	64	160		160	160
SSP-B-500mm	500	64	160	128	160	224

UNDER RAIL

PART EXTENSION | FULL EXTENSION

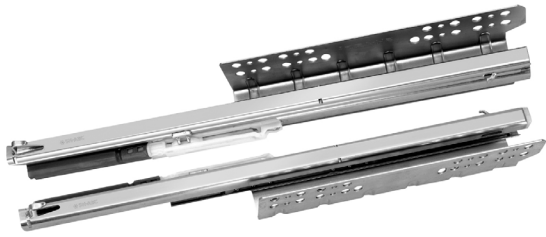
Designed with durability and functionality in mind, **Under Rail** systems by Samsung Irex offer a hidden sliding mechanism that maximizes drawer storage space and enhances the overall aesthetic. Perfect for premium kitchens, wardrobes, and office spaces, these systems combine superior performance with understated elegance.





UNDER RAIL

PART EXTENSION



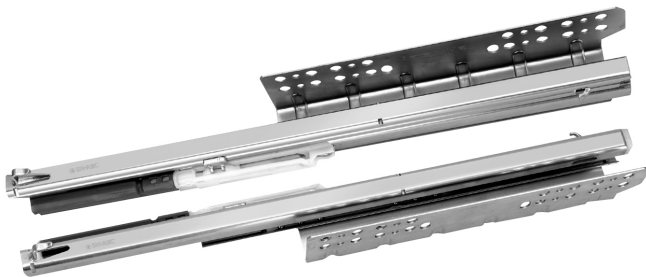
Features

- Part extension opening (approx. 3/4 length)
Load capacity: 25 kg
- Perfect height and stability at side can guarantee excellent running condition of the slides
- Soft-closing function make the drawer close safely without effect of weight
- Push type installation, Put drawer on slides horizontally, push it closed, then assembling is finished
- With height-adjustment function, the gap between drawer bottom and slides can be adjusted by rotating the blue plastic wheel
- Tool-free, quick installation
- With soft close function

ARTICLE CODE	DESCRIPTION	QTY.	UNIT	PU
1024300	Damping Under Rail 300mm (Part Extn. With S/C) 25 Kg	1	Set	8
1024350	Damping Under Rail 350mm (Part Extn. With S/C) 25 Kg	1	Set	8
1024400	Damping Under Rail 400mm (Part Extn. With S/C) 25 Kg	1	Set	8
1024450	Damping Under Rail 450mm (Part Extn. With S/C) 25 Kg	1	Set	8
1024500	Damping Under Rail 500mm (Part Extn. With S/C) 25 Kg	1	Set	8
1024550	Damping Under Rail 550mm (Part Extn. With S/C) 25 Kg	1	Set	8

UNDER RAIL

FULL EXTENSION



ARTICLE CODE	DESCRIPTION	QTY.	UNIT	PU
1023250 b	Damping Under Rail 250mm (Full Extn. With S/C) 35 Kg	1	Set	8
1023300 b	Damping Under Rail 300mm (Full Extn. With S/C) 35 Kg	1	Set	8
1023350 b	Damping Under Rail 350mm (Full Extn. With S/C) 35 Kg	1	Set	8
1023400 b	Damping Under Rail 400mm (Full Extn. With S/C) 35 Kg	1	Set	8
1023450 b	Damping Under Rail 450mm (Full Extn. With S/C) 35 Kg	1	Set	8
1023500 b	Damping Under Rail 500mm (Full Extn. With S/C) 35 Kg	1	Set	8



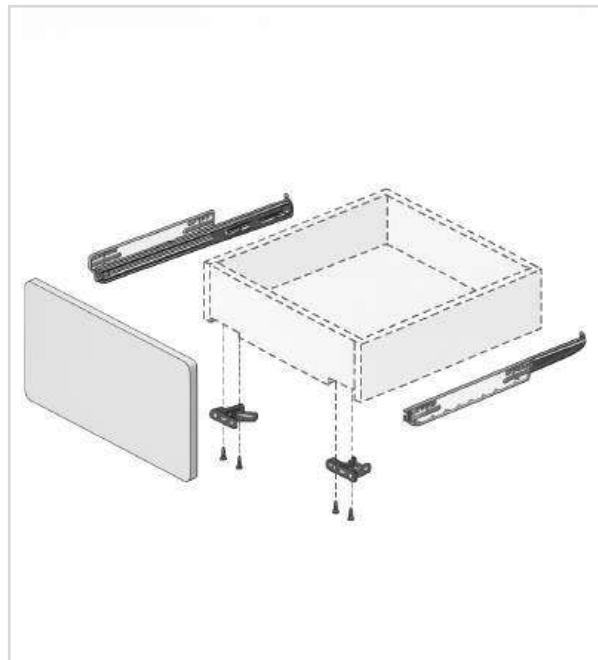
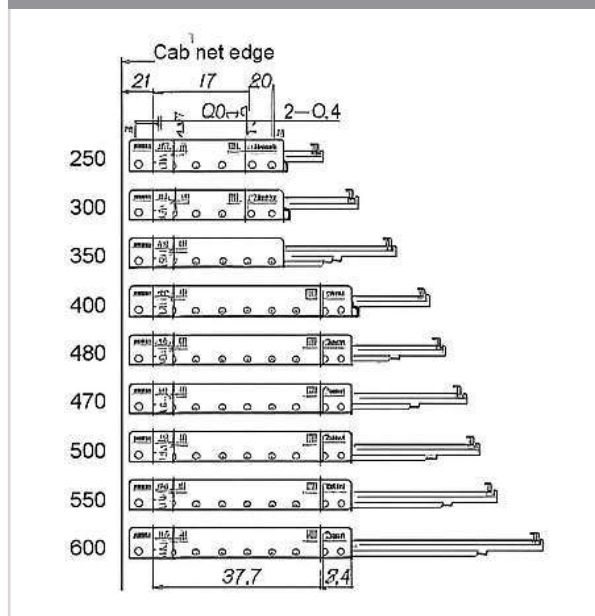
UNDER RAIL

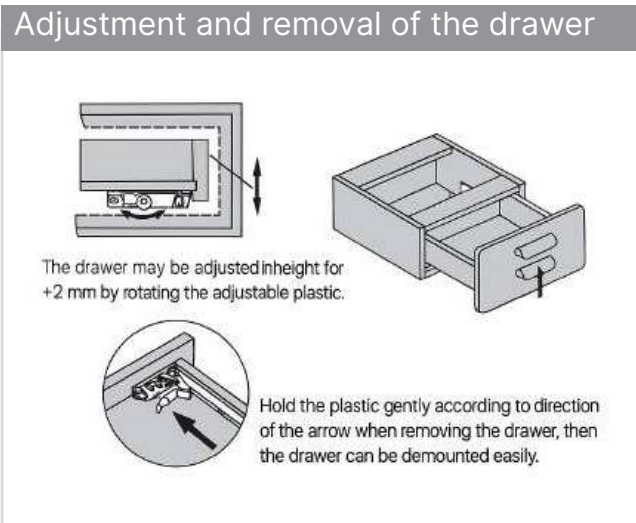
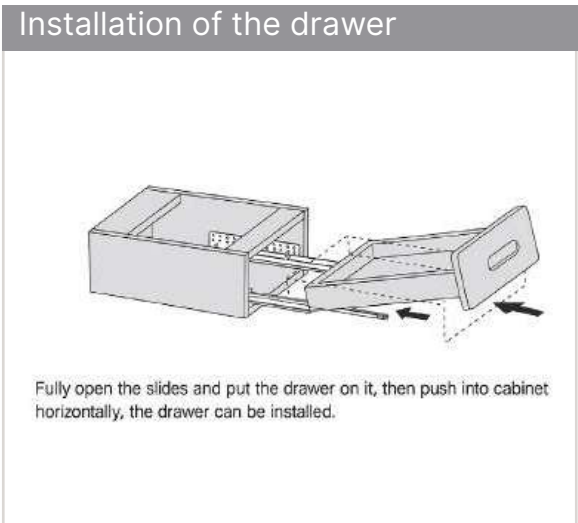
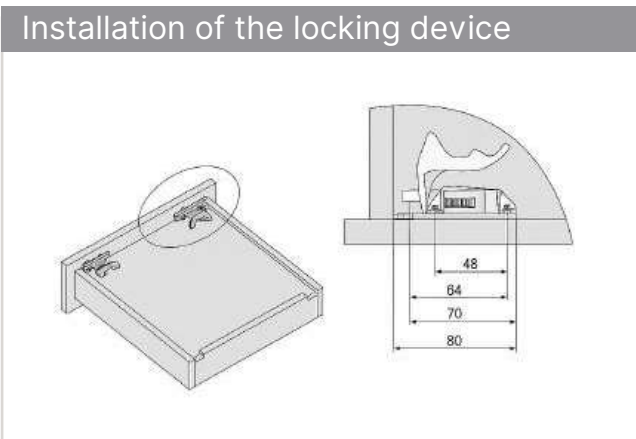
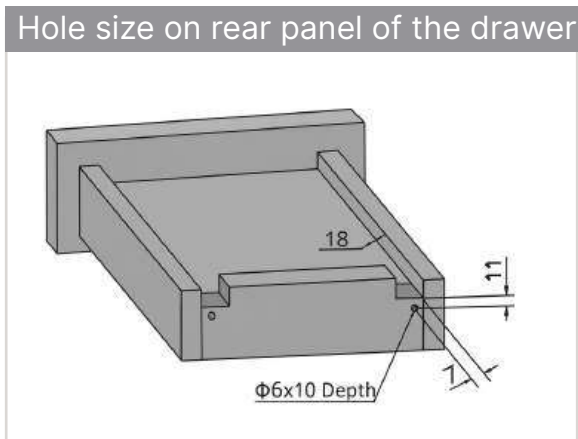
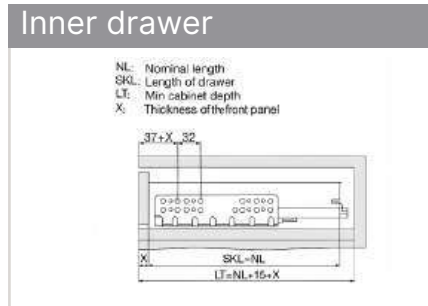
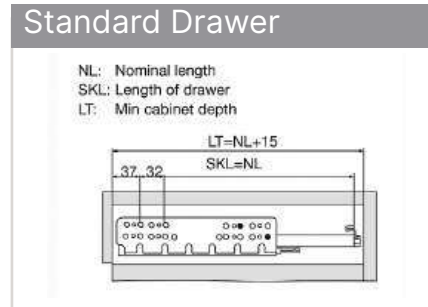
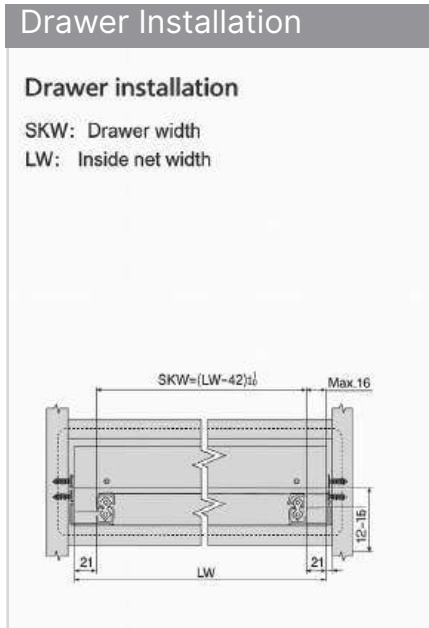
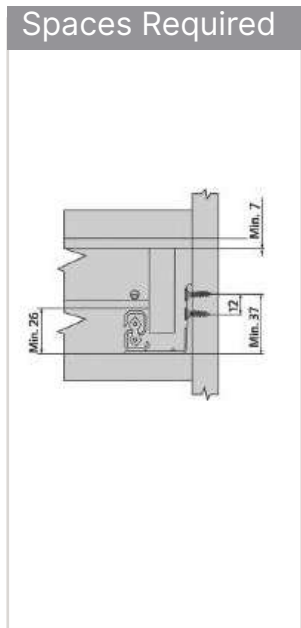
Features

- Load capacity: 35kg.
- Perfect height and stability at side can guarantee excellent running condition of the slide.
- Soft closing function make the drawer close safely without effect of impact.
- Push type installation, Put drawer on slide horizontally, push it down, then assembling is finished.
- With height-adjustment function, the gap between drawer bottom and slide can be adjusted by rotating the blue plastic wheel.
- Tool-free, quick installation.
- With soft-close function.



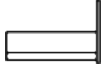
Hole Pattern





DRAWER SYSTEM HANA SERIES

HANA CUBE | HANA BOX

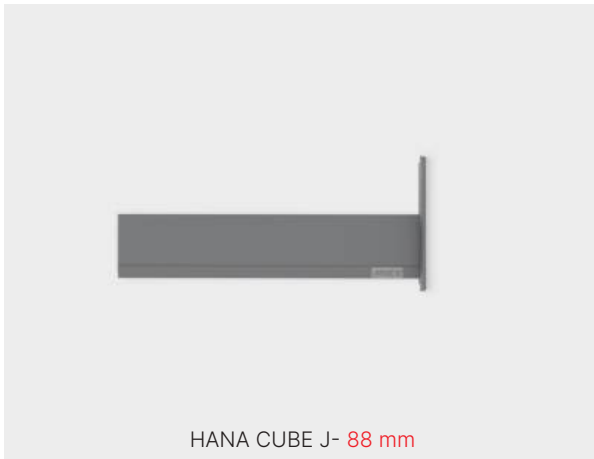


Drawer system comes with slim side profile in multiple extended heights of 88mm, 120mm, 175mm and 272mm with soft closing mechanism. Having a slim side profile makes the kitchen cabinet drawer more sleek, steady with underrail mechanism and thus enhance the aesthetic of the complete kitchen cabinet.

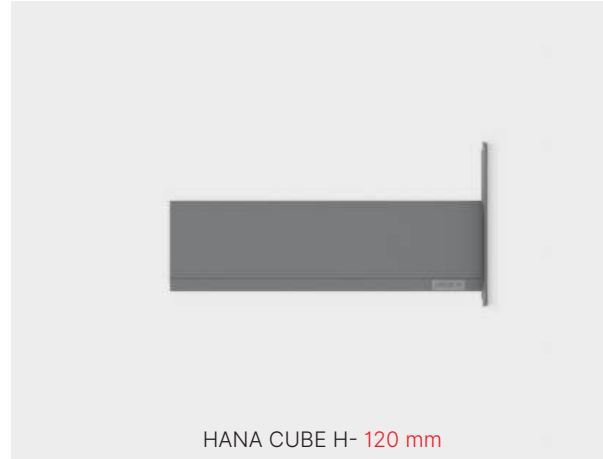
Hana cube offers upto 60kg weight carrying capacity ensuring the maximum storage and at the same time offers more ease in closing and opening of the drawer.

3 Standard Drawers, Limitless Possibilities

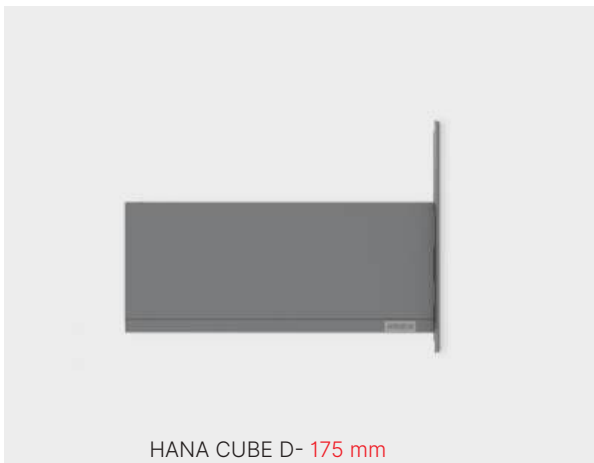
It is designed with versatility in mind. With different drawer heights, a wide range of drawers can be created with side extend.



HANA CUBE J- 88 mm



HANA CUBE H- 120 mm

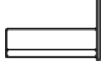


HANA CUBE D- 175 mm



HANA CUBE S- 272 mm

ARTICLE CODE	DESCRIPTION	QTY.	UNIT	PU
1045500	Hana Cube J- 88 mm(Grey) 35kg	1	Set	4
1046500	Hana Cube H- 120 mm(Grey) 35kg	1	Set	4
1047500	Hana Cube D- 175 mm(Grey) 35kg	1	Set	4
1049500	Hana Cube S- 272 mm(Grey) 60kg	1	Set	4



Versatile Solutions, Tailored for Every Space

Flexibility

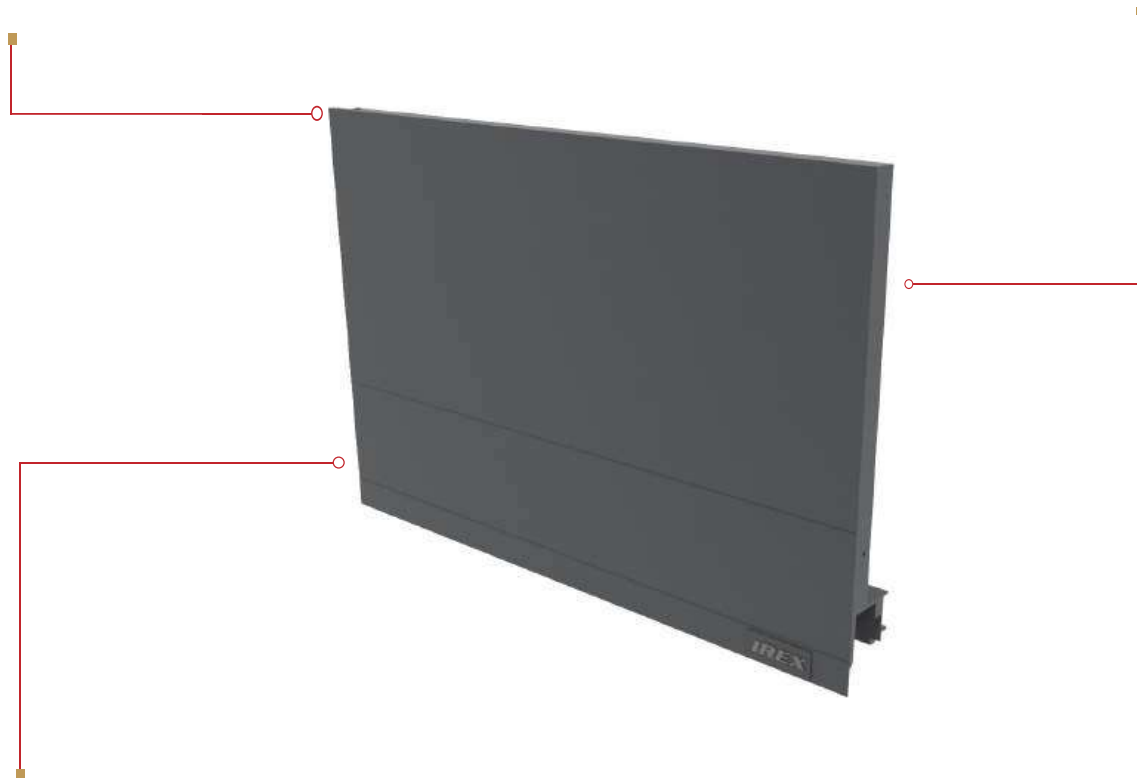
Convenient and flexible

Each side extend height is designed with individual rear fixing bracket. Making it a simple decision on which solution to use, tailoring for every space.

Slim Profile

Clean and sleek line

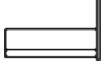
Slim and straight line profile drawer system optimizes storage space with precision, leaving no edges wasted.



Refined & Elegant

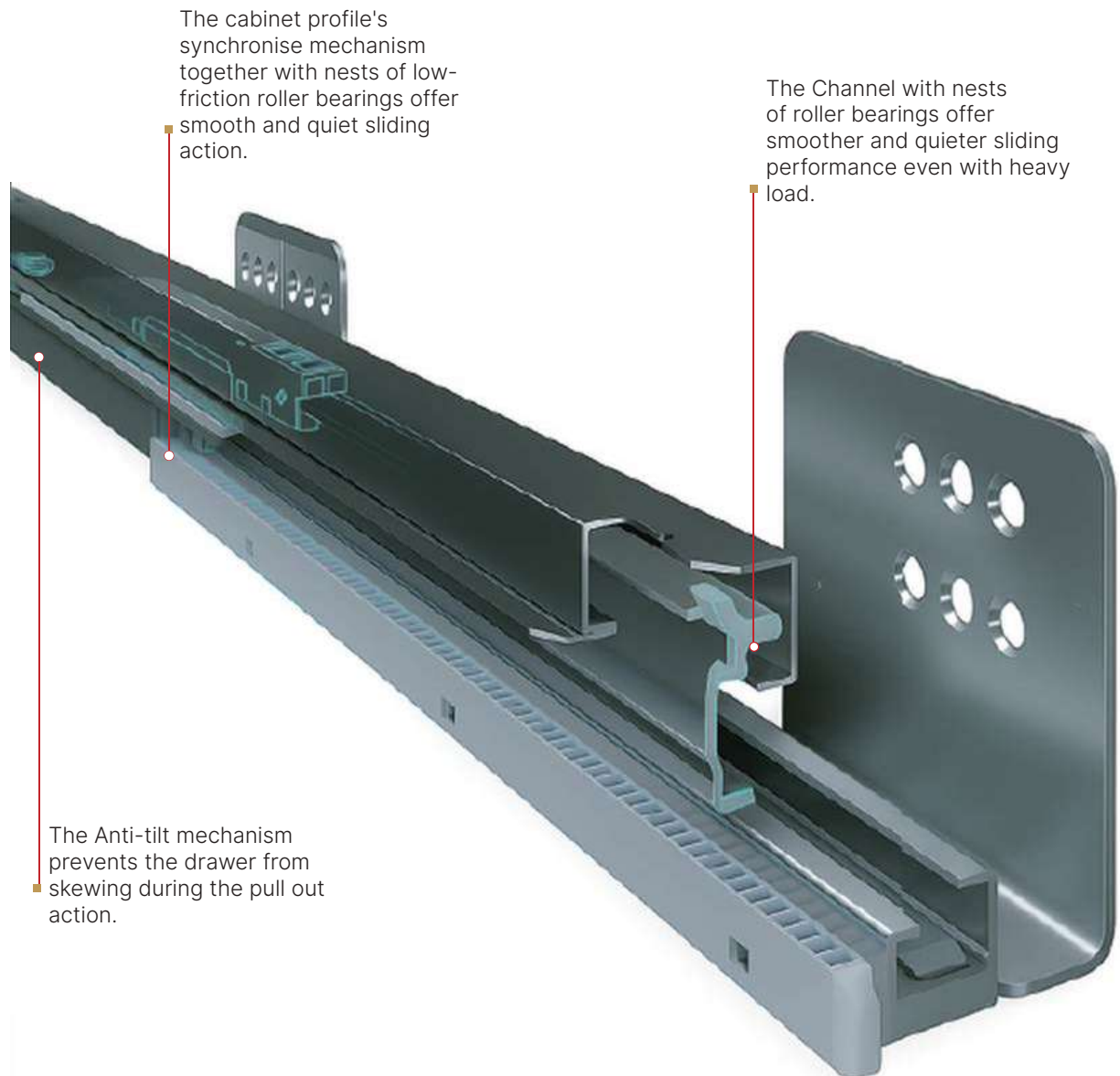
Distinctive drawer design

Infusing character and elegance, the horizontal lines add a touch of sophistication to any space.



Proven Technology.

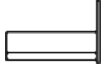
The drawer runner system is the foundation for reliable and customisable furniture designs. The roller bearing drawer runner system available in 35 kg and 60kg load ratings.



The cabinet profile's synchronise mechanism together with nests of low-friction roller bearings offer smooth and quiet sliding action.

The Channel with nests of roller bearings offer smoother and quieter sliding performance even with heavy load.

The Anti-tilt mechanism prevents the drawer from skewing during the pull out action.



3 Dimensional Adjustment, Flexible and Easily Accessible

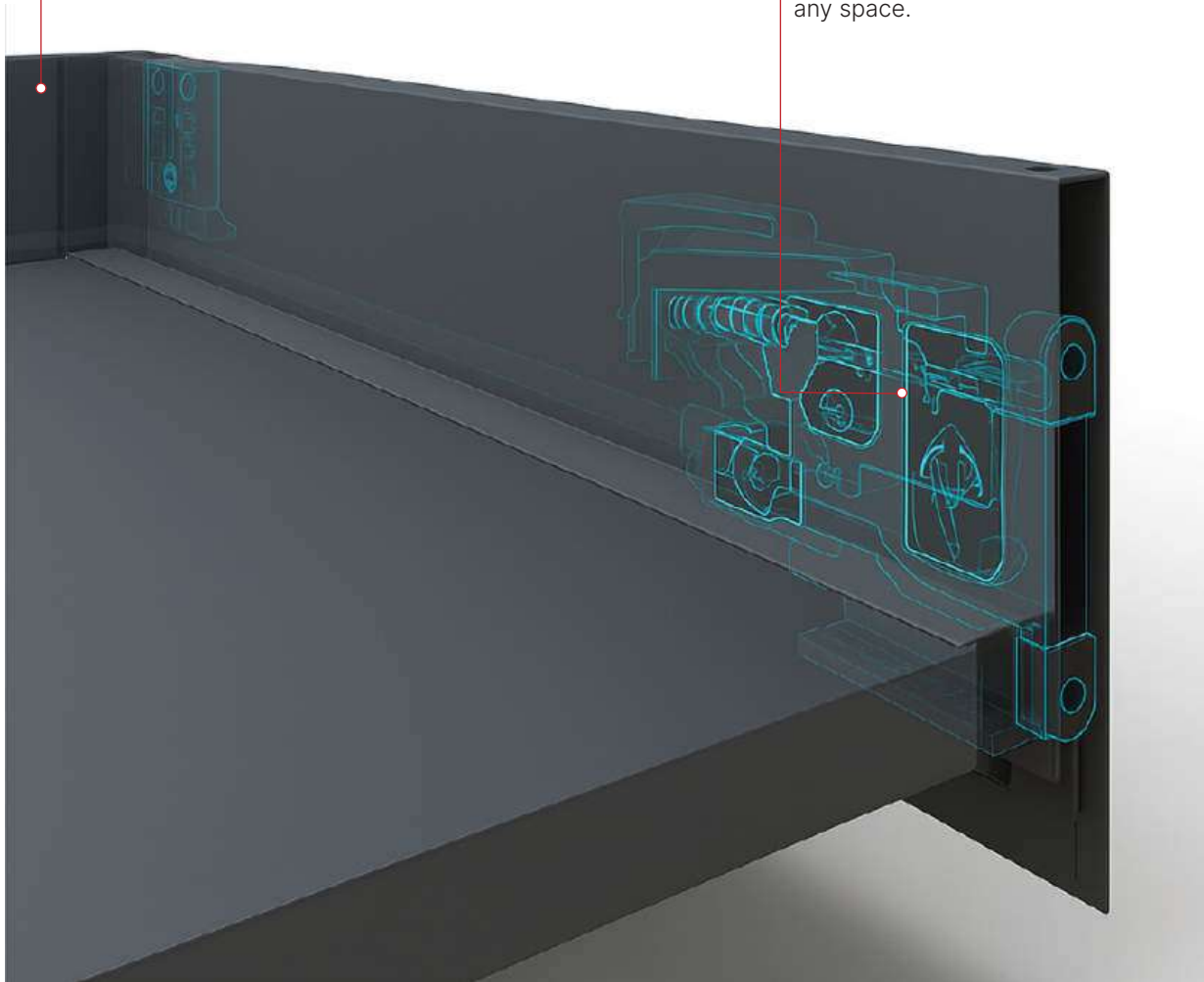
Hana Cube offers effortless adjustment options on three dimensions- height, side and tilt - making it simple to customise and access with ease.

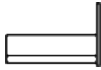
Tilt Adjustment

Easily fine-tune the front panel angle with just a few straightforward steps.

Height & Side Adjustment

Hana Cube can be installed efficiently with adjustment options for height and side. Experience seamless versatility and user-friendly functionality for perfect alignment in any space.





HANA CUBE

HANA CUBE J- 88 mm

Features

- Concealed roller bearing runners for smooth, quiet performance.
- Full extension with synchronized control for easy acc.
- 88mm high steel drawer sides for added durability.
- Available in 35kg load capacity.
- Designed for quick and hassle-free installation.
- Offers flexible 3D front adjustments – height, side, and tilt.
- Built-in Sylent cushioning system for soft and silent closing.
- Includes an integrated lateral stabilizer for enhanced drawer balance and movement.



Cutting Dimensions for 16mm chipboard

Back panel
Width = internal cabinet width - 87mm
Height = 74mm

Bottom panel
Width = internal cabinet width - 75mm
Length (Wooden Back) = drawer length - 24mm



Cabinet Profile Screw Positions

Drawer Length

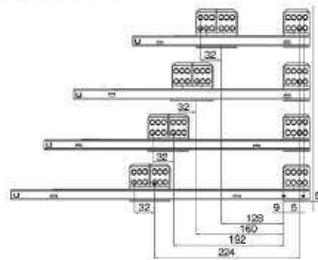
Min. internal cabinet depth = drawer length + 3 mm
Actual loss of extension = 0 mm

270 / 300 / 350mm

400mm

450mm

500 / 550mm



TM16S

Drawer Length

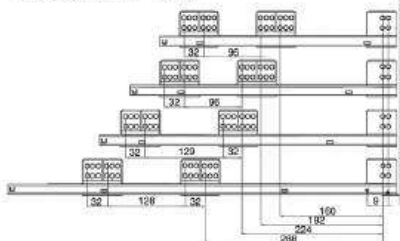
Min. internal cabinet depth = drawer length + 3 mm
Actual loss of extension = 0 mm

400mm

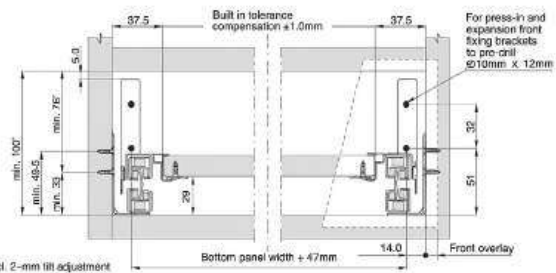
450mm

500 / 550mm

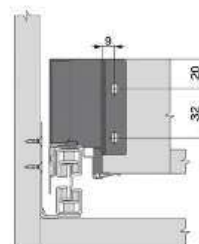
600 / 850mm



Space Requirement and Installation Parameters



* Incl. 2-mm tilt adjustment





HANA CUBE H- 120 mm

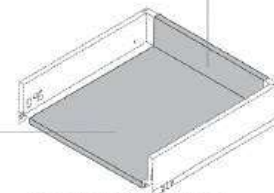
Features

- Concealed roller bearing runners for smooth and silent operation.
- Full-extension design with synchronized movement for better accessibility.
- Robust 120mm high steel drawer sides for added strength.
- Supports load capacity of 35 kg .
- 3D front adjustment optiod tilt for perfect alignment.
- Integrated Sylent cushioning system ensures soft and quiet closing.
- Built-in lateral stabilizer for enhanced drawer stability and smooth glide.



Cutting Dimensions for 16mm chipboard

Back panel
 Width = internal cabinet width - 87mm
 Height = 106mm



Bottom panel
 Width = internal cabinet width - 75mm
 Length (Wooden Back) = drawer length - 24mm

Cabinet Profile Screw Positions

TM13S

Drawer Length

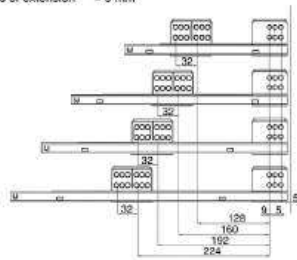
270 / 300 / 350mm

400mm

450mm

500 / 550mm

Min. internal cabinet depth = drawer length + 3 mm
 Actual loss of extension = 0 mm



TM16S

Drawer Length

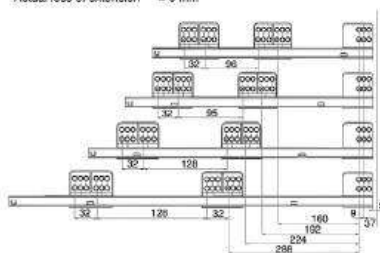
400mm

450mm

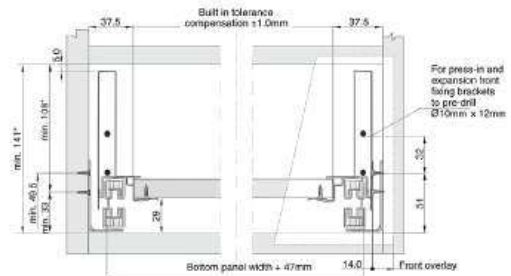
500 / 550mm

600 / 650mm

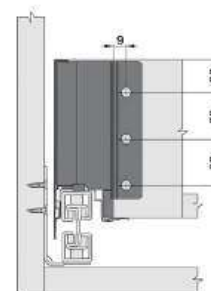
Min. internal cabinet depth = drawer length + 3 mm
 Actual loss of extension = 0 mm



Space Requirement and Installation Parameters



2mm S8 adjustment
 •Incl. 2mm tilt adjustment

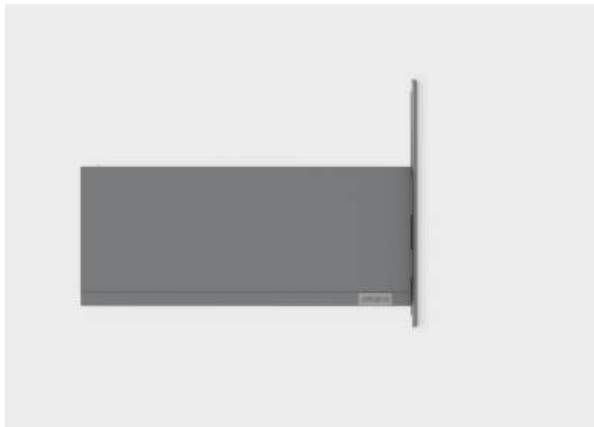




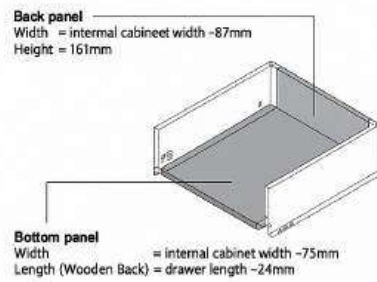
HANA CUBE D- 175 mm

Features

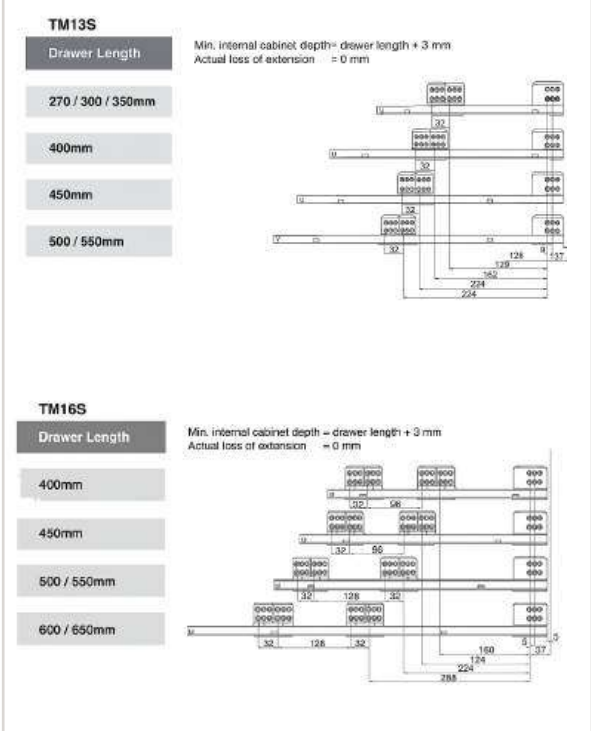
- Concealed roller bearing runners ensure smooth and silent performance.
- Full extension with synchronized control for maximum accessibility.
- Durable 175mm high steel drawer sides for increased storage depth.
- Load capacity options of 35kg to suit varying needs.
- Quick and efficient assembly mechanism.



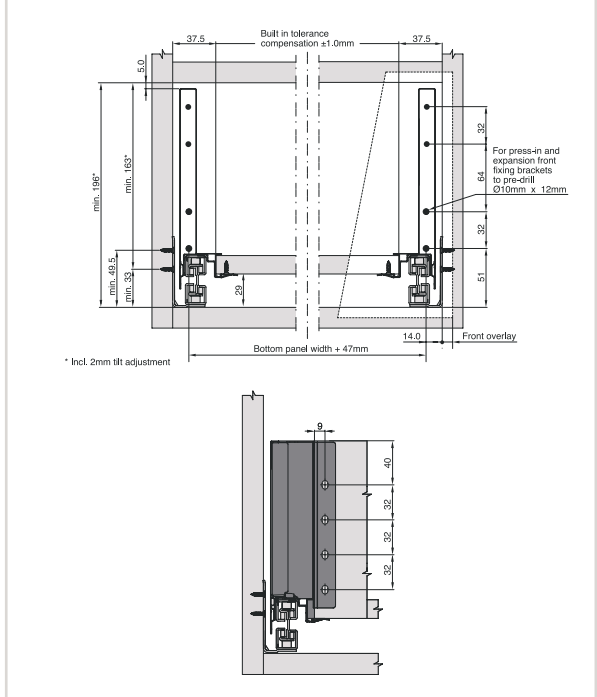
Cutting Dimensions for 16mm chipboard



Cabinet Profile Screw Positions



Space Requirement and Installation Parameters





HANA BOX

Features

- Features a slim slide profile available in extended height of 90mm, 120mm & 185mm.
- Integrated with soft close mechanism & under rail sliding system ensure steady quite & seamless drawer movement.
- Offered in grey & white finishes.
- With a 40Kg load capacity with 500mm depth.

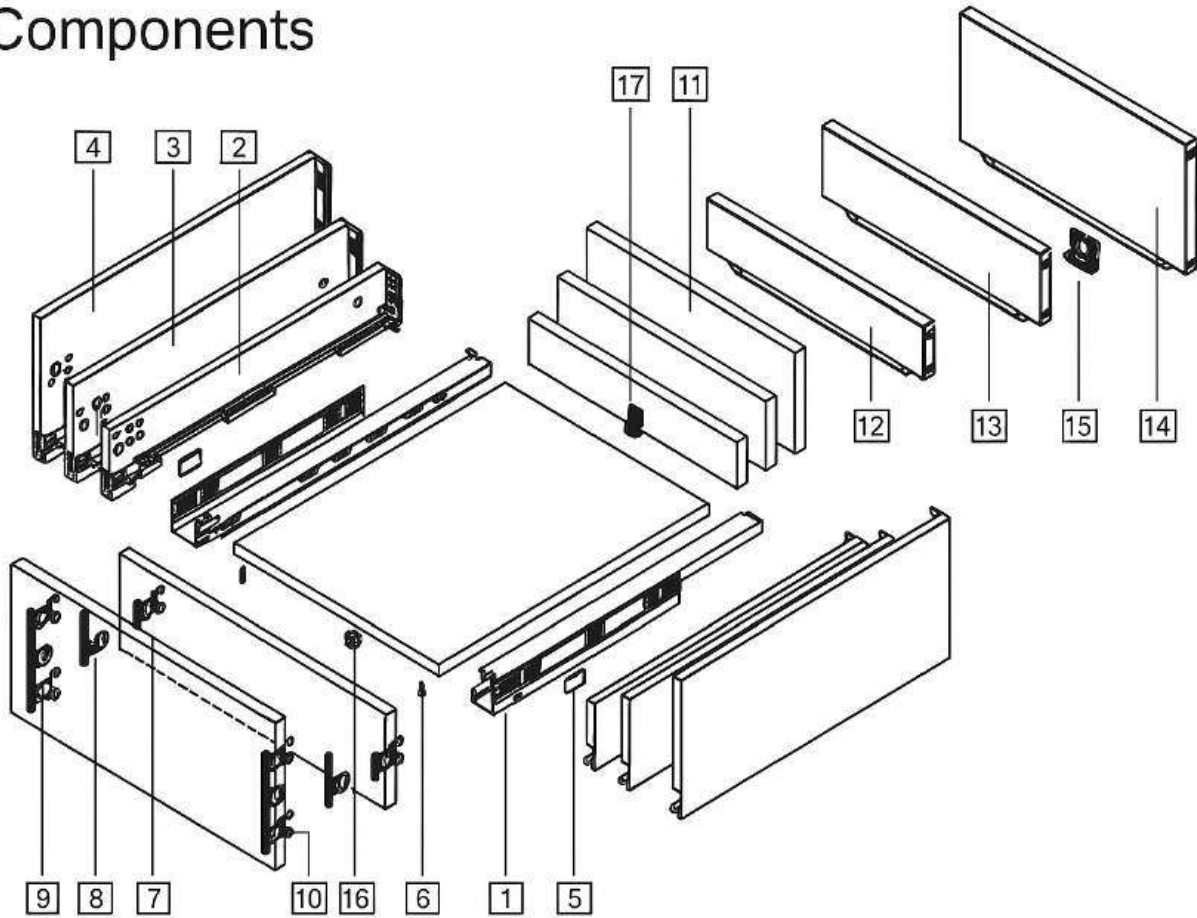


ARTICLE CODE	DESCRIPTION	QTY.	UNIT	PU
1033000	Hana Box J Height- 90 mm(Grey) 40 Kg	1	Set	4
1033001	Hana Box H Height- 120 mm(Grey) 40 Kg	1	Set	4
1033002	Hana Box D Height- 185 mm(Grey) 40 Kg	1	Set	4
1033006	Hana Box S Height- 250 mm(Grey) 40 Kg	1	Set	4

ARTICLE CODE	DESCRIPTION	QTY.	UNIT	PU
1033003	Hana Box J Height- 90 mm(White) 40 Kg	1	Set	4
1033004	Hana Box H Height- 120 mm(White) 40 Kg	1	Set	4
1033005	Hana Box D Height- 185 mm(White) 40 Kg	1	Set	4



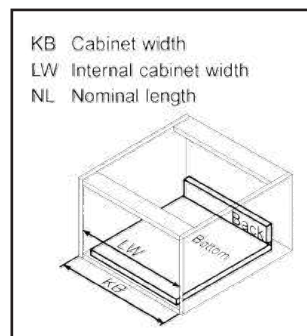
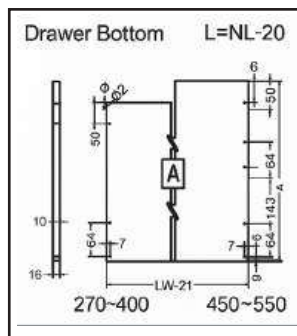
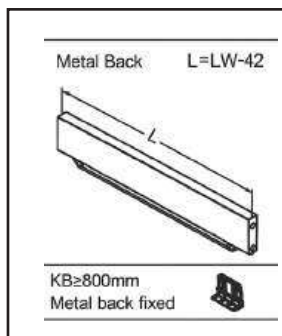
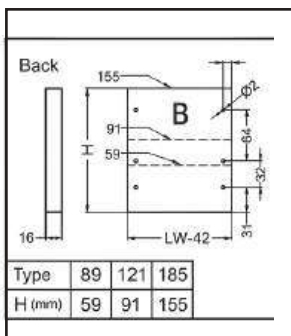
Components



1. Cabinet profiles : L/R	10. Front fixing-brackets screw (Ø4x17)
2.89 Drawer profiles : L/R	11. Drawer back
3.121 Drawer profiles : L/R	12. Metal back height 89
4.185 Drawer profiles : L/R	13. Metal back height 121
5.Side cover plate	14. Metal back height 185
6.Bottom screw (Ø3.5x15)	15. Metal back fixed
7.HANA-FFB-89-1 L/R	16. Bottom fixing(for wide drawer)
8.HANA-FFB-121-1 L/R	17. Back fixing(for wide drawer)
9.HANA-FFB-185-1 L/R	

Nominal length	Internal drawer length	Min.installation length of drawer
270mm	244mm	275mm
300mm	274mm	305mm
350mm	324mm	355mm
400mm	374mm	405mm
450mm	424mm	455mm
500mm	474mm	505mm
550mm	524mm	555mm

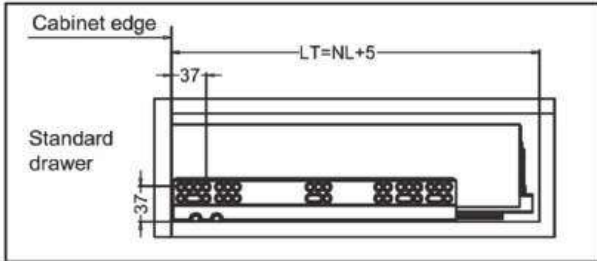
Drawer Back and Bottom Dimensions



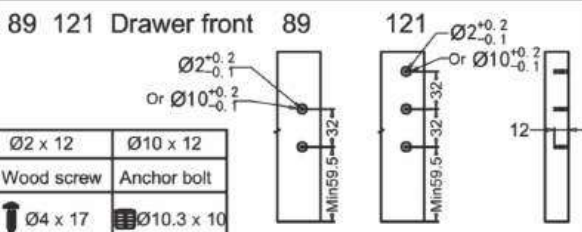


Installation dimensions (mm)

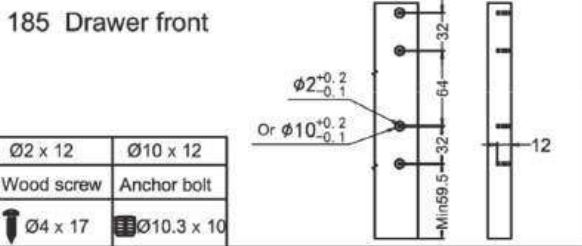
Nominal slide length=NL Internal cabinet depth=LT



Drawer installation dimensions (mm)

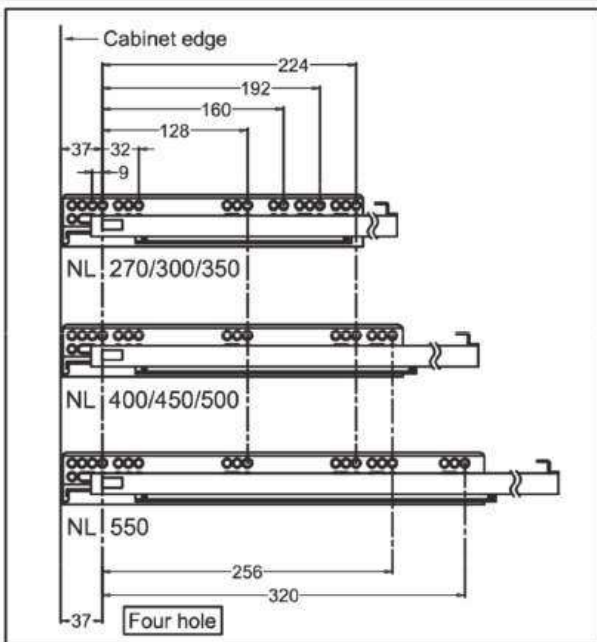


Ø2 x 12	Ø10 x 12
Wood screw	Anchor bolt
Ø4 x 17	Ø10.3 x 10



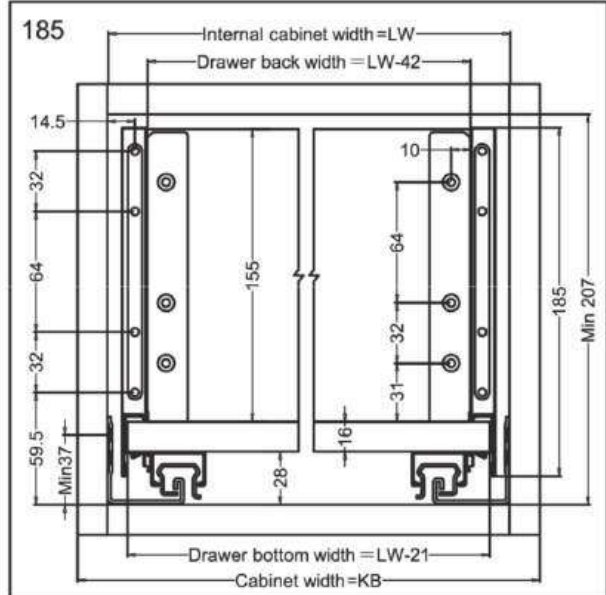
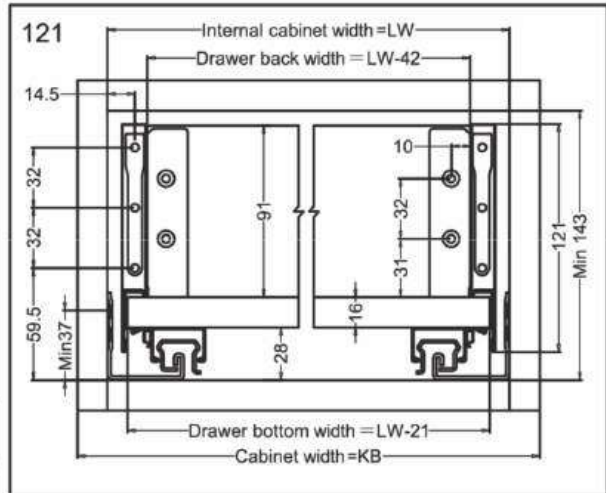
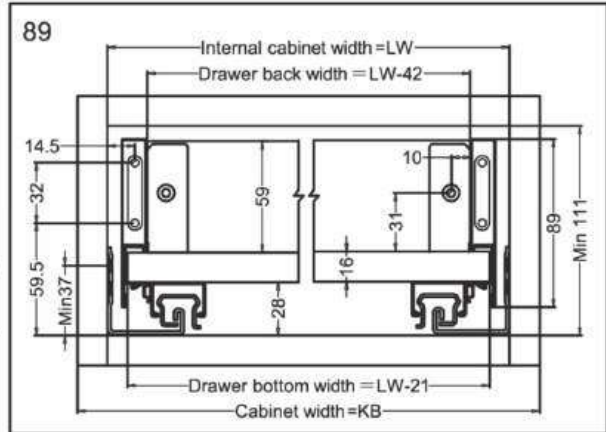
Ø2 x 12	Ø10 x 12
Wood screw	Anchor bolt
Ø4 x 17	Ø10.3 x 10

Screw positions of the sides



Drawer installation dimensions (mm)

LW=Internal cabinet width

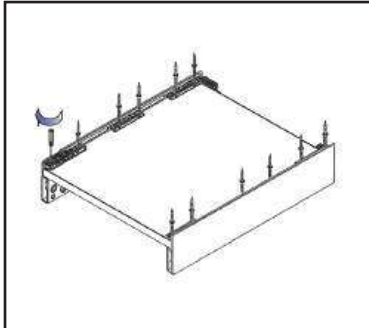




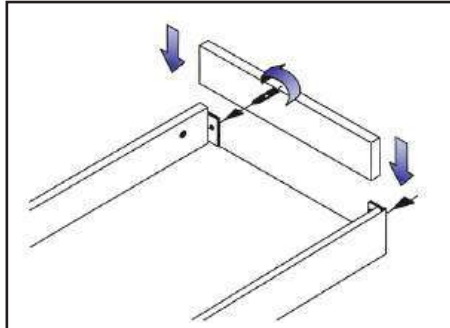
HANA BOX

Assembly removal and adjustment

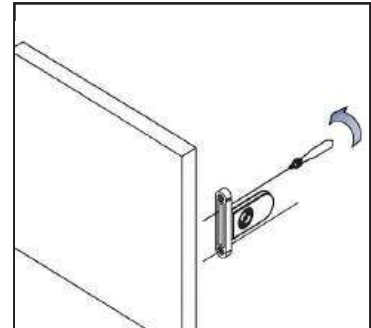
Drawer assembly



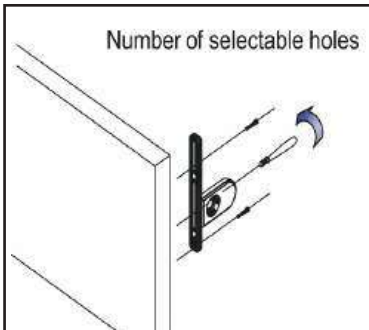
Bottom assembly



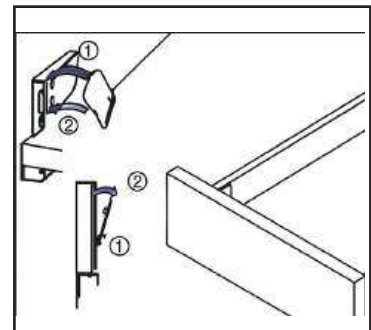
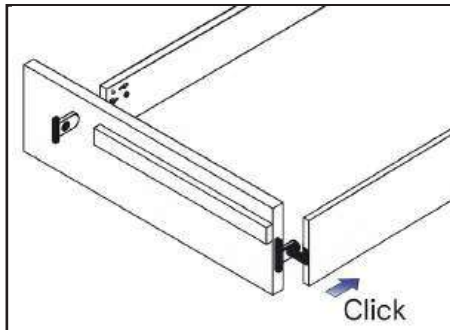
Back assembly



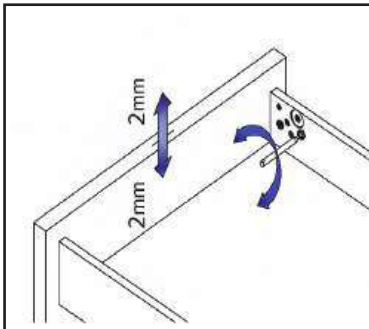
89 Front assembly



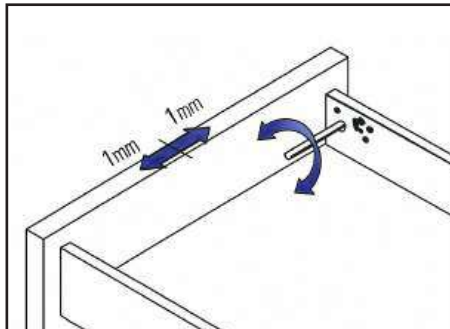
121 Front assembly



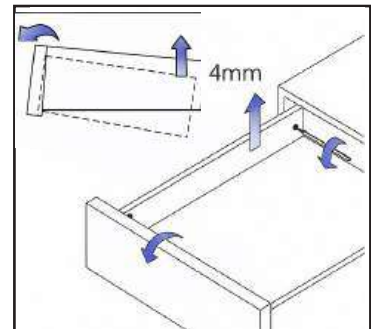
Adjustment



Up & down assembly

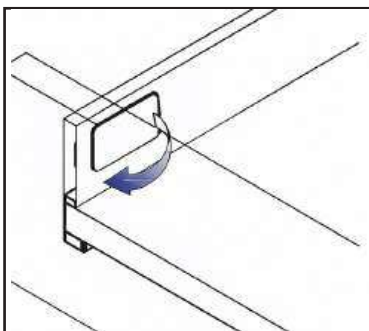


Left & right adjustment

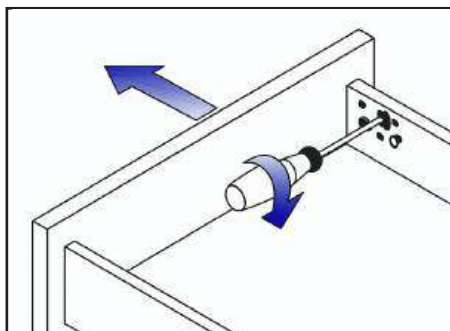


Front slope angle adjustment

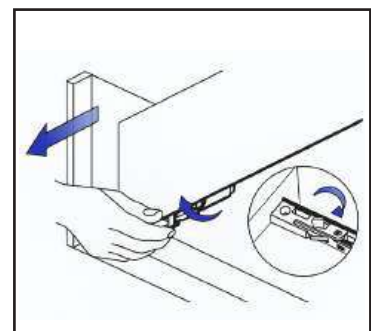
Removal



Tip up the cover and pull out



Removal drawer front



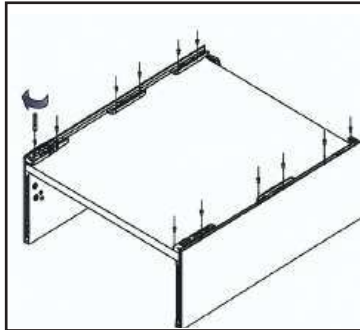
Removal drawer



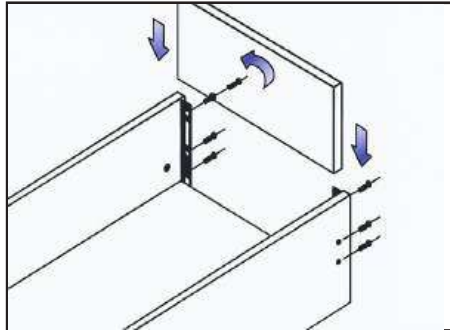
HANA BOX

Assembly removal and adjustment

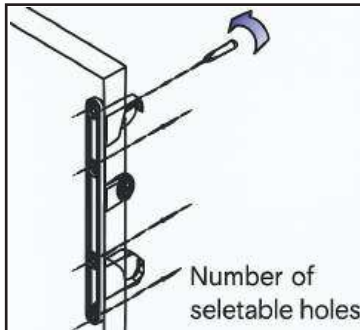
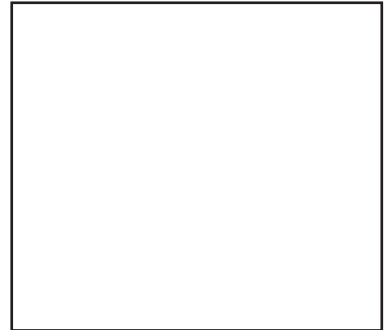
Drawer assembly



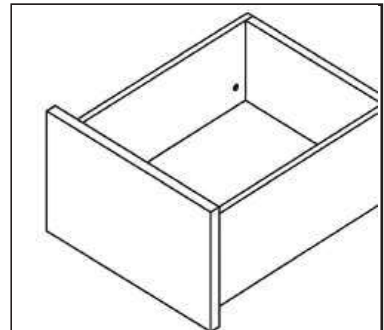
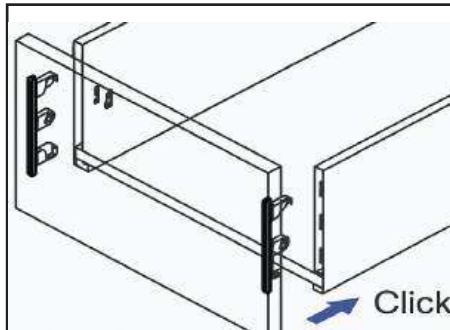
Bottom assembly



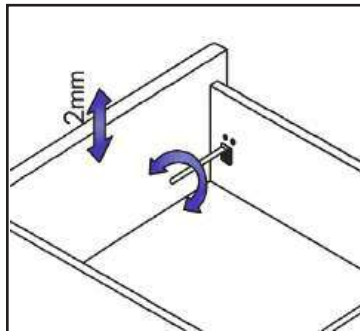
Back assembly



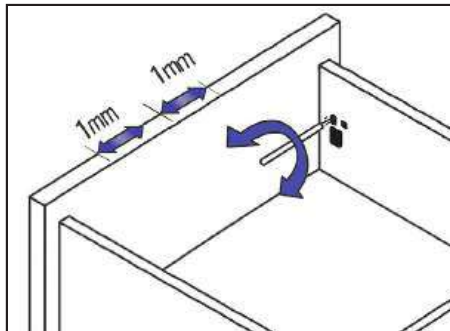
Front assembly



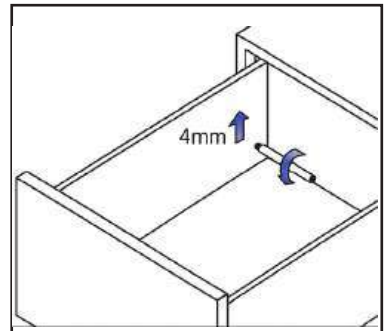
Adjustment



Up & down adjustment

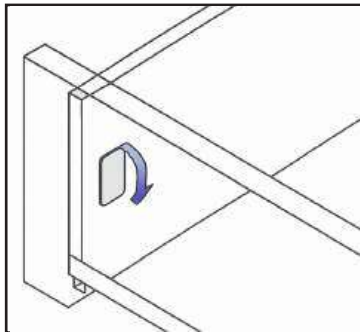


Left & right adjustment

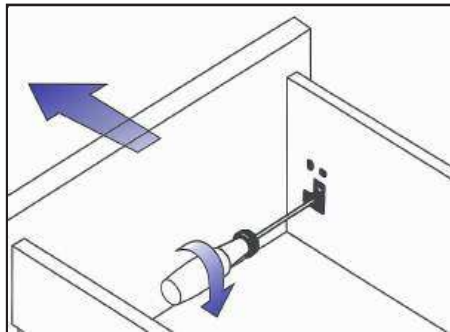


Front slope angle adjustment

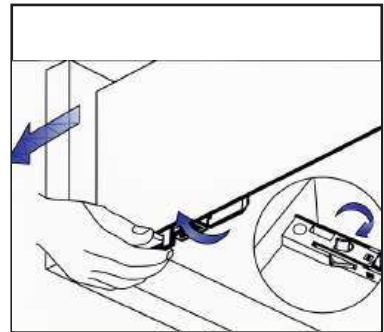
Removal



Tip up the cover and pull out



Removal drawer front



Removal drawer

DRAWER SYSTEM IREX SERIES

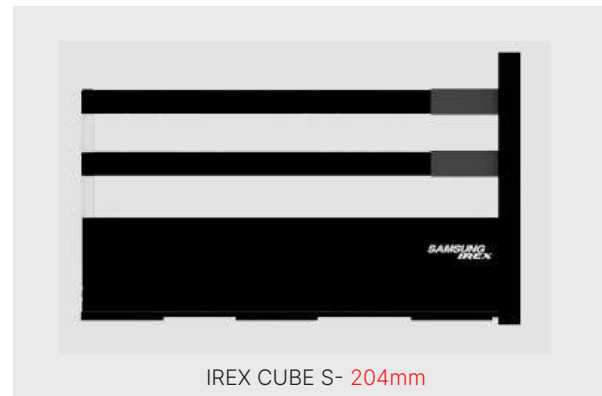
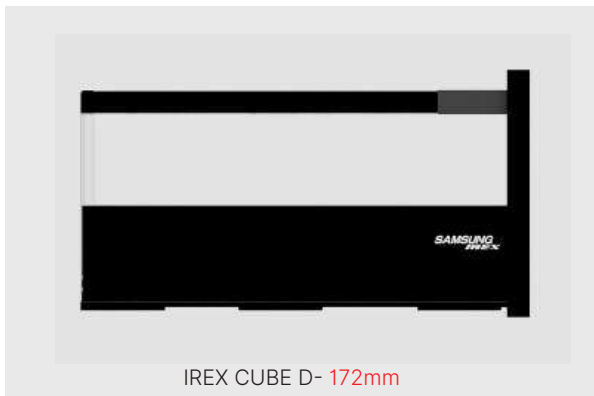
IREX CUBE | IREX BOX

Drawer system having a soft close integrated mechanism which helps the drawer to close in a soft manner ensuring soundless operations. The mechanism is based upon rack and pinion along with ball bearing mechanism, which ensures smooth opening and closing of drawer.

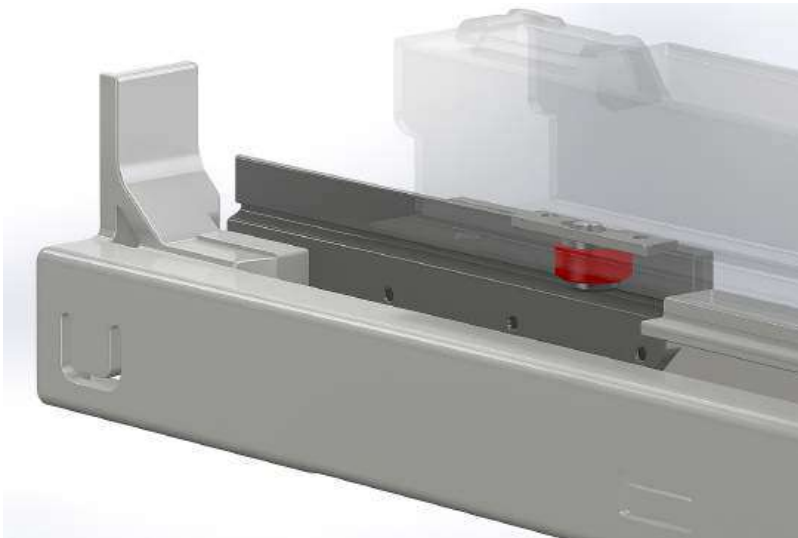




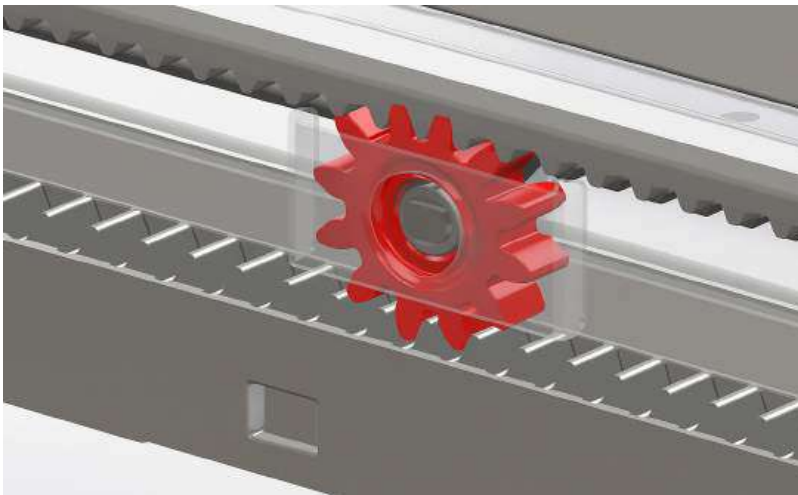
IREX CUBE



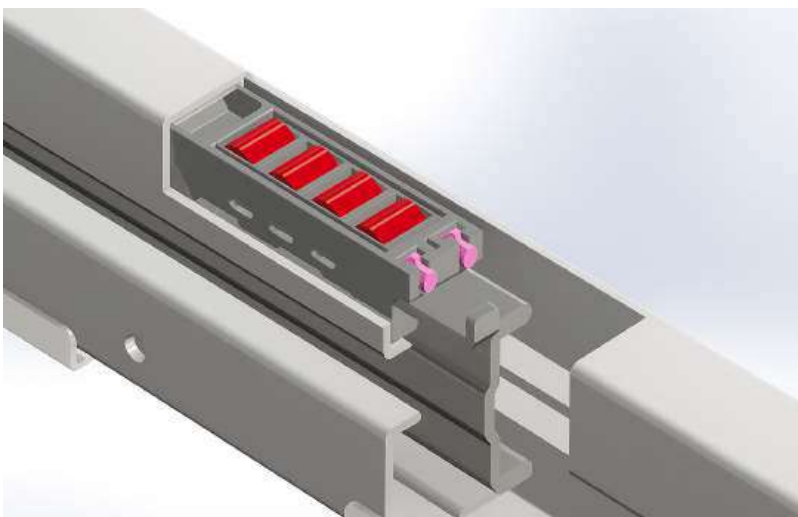
ARTICLE CODE	DESCRIPTION	QTY.	UNIT	PU
1040500	Irex Cube J- 83mm 35kg	1	Set	4
1041500	Irex Cube H- 115mm 35kg	1	Set	4
1042500	Irex Cube D- 172mm 35kg	1	Set	4
1044500	Irex Cube S- 204mm 60kg	1	Set	4



The Anti-tilt mechanism prevents the drawer from skewing during the pull out action.



The cabinet profile's synchronise mechanism together with nests of low-friction roller bearings offer smooth and quiet sliding action



The Channel with nests of roller bearings offer smoother and quieter sliding performance on a full load.



IREX CUBE

IREX CUBE J (83mm)

Features

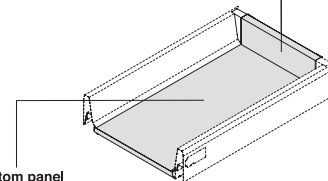
- Concealed roller bearing runners deliver smooth and quiet performance.
- Full extension with synchronized control ensures complete access.
- Compact 83mm steel drawer sides designed for slim drawer applications.
- Supports load capacity of 35kg
- Offers flexible 2D front adjustment for height and side alignment.
- Integrated Sylent cushioning system for gentle and quiet closing.
- Built-in lateral stabiliser for steady and balanced movement.



Cutting Dimensions for 16mm chipboard

Back panel

Width = internal cabinet width - 87mm
Height = 84mm



Bottom panel

Width = Internal cabinet width - 75mm
Length (Wooden Back) = drawer length - 24 mm
Length (Steel Back) = drawer length - 22 mm

Cabinet Profile Screw Positions

TM13S

Drawer Length

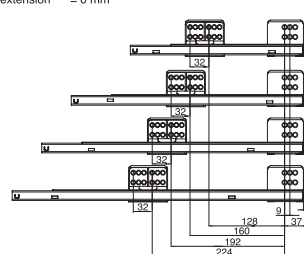
Min. internal cabinet depth = drawer length + 3 mm
Actual loss of extension = 0 mm

270, 300, 350 mm

400 mm

450 mm

500, 550 mm



TM16S

Drawer Length

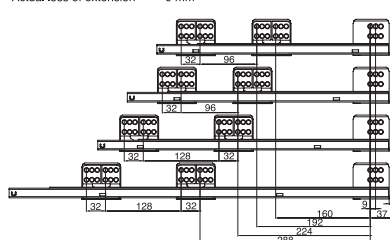
Min. internal cabinet depth = drawer length + 3 mm
Actual loss of extension = 0 mm

400 mm

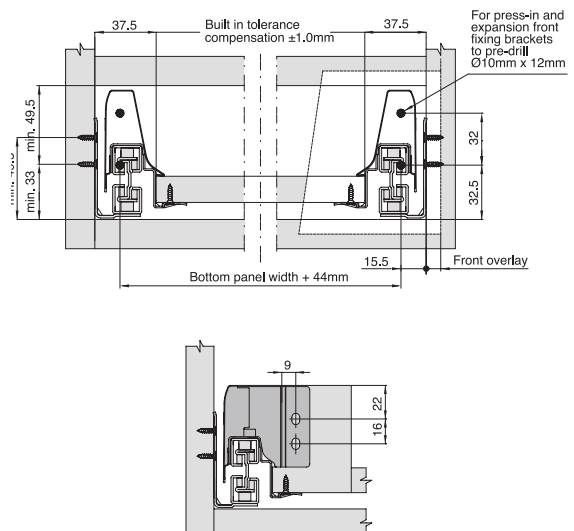
450 mm

500, 550 mm

600, 650 mm



Space Requirement and Installation Parameters





IREX CUBE H (115mm)

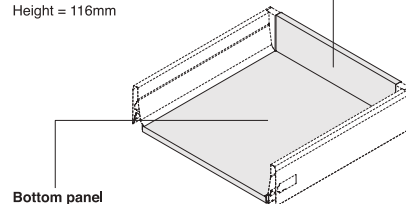
Features

- Concealed roller bearing runners ensure smooth and silent operation.
- Full extension with synchronized control for effortless access.
- 115mm high steel drawer sides offer a balance of capacity and design.
- Load-bearing capacity of 35kg to suit various needs.
- Quick and efficient assembly system.
- 2D front adjustment for easy height and side alignment.



Cutting Dimensions for 16mm chipboard

Back panel
 Width = internal cabinet width - 87mm
 Height = 116mm



Bottom panel
 Width = Internal cabinet width - 75mm
 Length (Wooden Back) = drawer length - 24 mm
 Length (Steel Back) = drawer length - 22 mm

Cabinet Profile Screw Positions

TM13S

Drawer Length Min. internal cabinet depth = drawer length + 3 mm
 Actual loss of extension = 0 mm

270, 300, 350 mm

400 mm

450 mm

500, 550 mm

TM16S

Drawer Length Min. internal cabinet depth = drawer length + 3 mm
 Actual loss of extension = 0 mm

400 mm

450 mm

500, 550 mm

600, 650 mm

Space Requirement and Installation Parameters

37.5 Built in tolerance compensation ±1.0mm 37.5

min. 49.5 min. 33 min. 97.5

For press-in and expansion front fixing brackets to pre-drill Ø10mm x 12mm

47.5 32

15.5 Front overlay

Bottom panel width + 44mm



IREX CUBE S (204mm)

Features

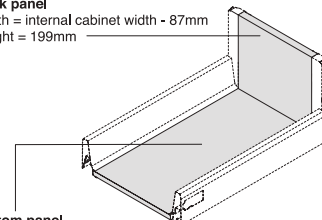
- Concealed roller bearing runners provide smooth and quiet motion.
- Full extension with synchronized control for complete accessibility.
- 204mm steel drawer sides ideal for compact storage solutions.
- Supports load capacities of 60kg .
- Designed for quick and easy assembly.
- Integrated Silent cushioning system ensures gentle, silent closing.
- Built-in lateral stabiliser enhances drawer stability and balance.



Cutting Dimensions for 16mm chipboard

Back panel

Width = internal cabinet width - 87mm
Height = 199mm



Bottom panel

Width = Internal cabinet width - 75mm
Length (Wooden Back) = drawer length - 24 mm
Length (Steel Back) = drawer length - 22 mm

Cabinet Profile Screw Positions

TM13S

Drawer Length

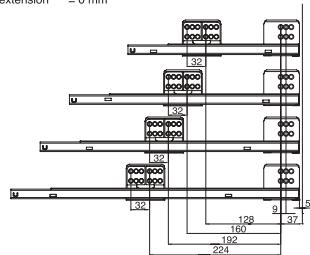
Min. internal cabinet depth = drawer length + 3 mm
Actual loss of extension = 0 mm

270, 300, 350 mm

400 mm

450 mm

500, 550 mm



TM16S

Drawer Length

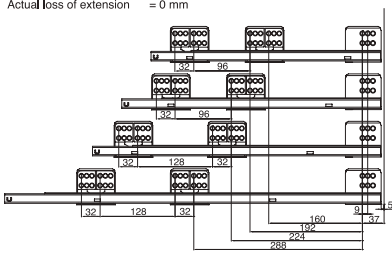
Min. internal cabinet depth = drawer length + 3 mm
Actual loss of extension = 0 mm

400 mm

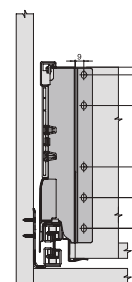
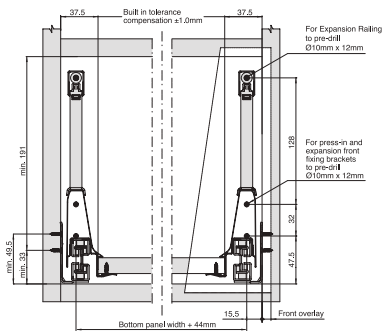
450 mm

500, 550 mm

600, 650 mm



Space Requirement and Installation Parameters



INTERNAL ACCESSORIES

Whether you're looking to create a more organized kitchen, a streamlined wardrobe, or a functional living area, Samsung Irex **internal accessories** blend innovative design with exceptional quality. Every accessory is built to last, ensuring your spaces stay stylish and efficient for years to come.





INTERNAL ACCESSORIES



1036000 | Single Cross Rail Connection



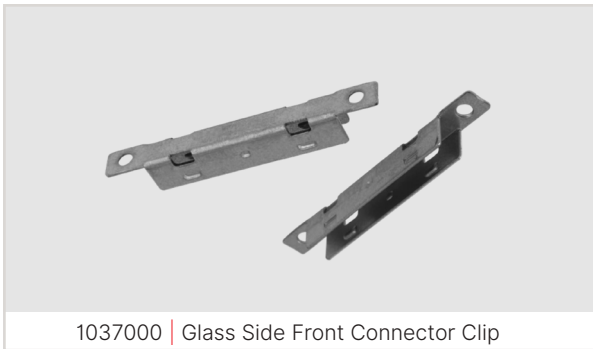
1036001 | Divider Rail Connection



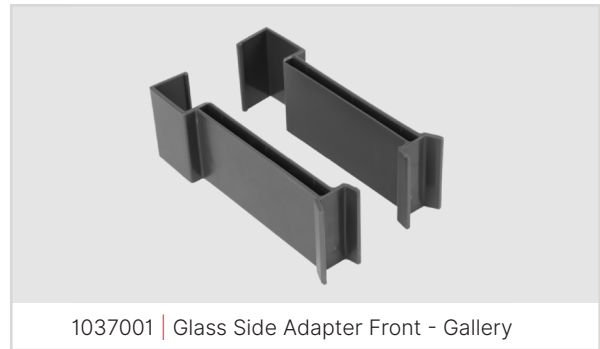
1036002 | Horizontal Rail



1036003 | Vertical Rail



1037000 | Glass Side Front Connector Clip



1037001 | Glass Side Adapter Front - Gallery



1037002 | Glass Side Adapter Back - Gallery



1037003 | Glass Side Adapter Front - Double Gallery



1037004 | Glass Side Adapter Back - Double Gallery



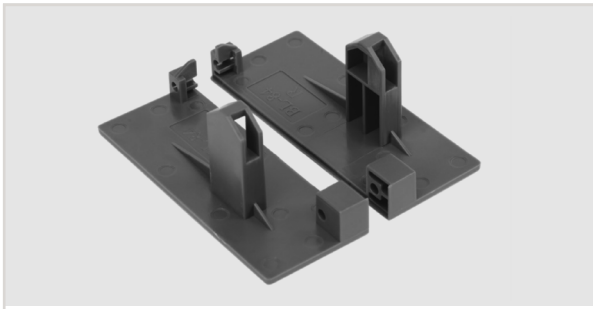
1037005 | Front Glass Bracket



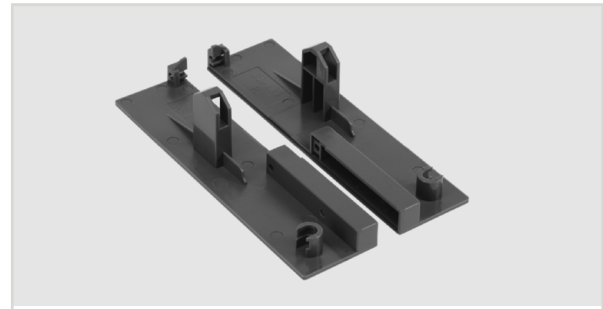
1038000 | Aluminium Front Handle Profile - 1100 mm



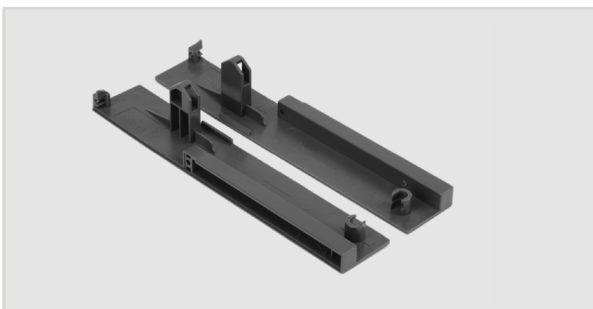
1038001 | Square Rod Front Handle - 1100 mm



1038002 | Front Bracket Normal Drawer



1038003 | Front Bracket Single Gallery Drawer



1038004 | Front Bracket Double Gallery Drawer

ARTICLE CODE	DESCRIPTION	QTY.	UNIT	PU
1036000	Single Cross Rail Connection	1	Set	1
1036001	Divider Rail Connection	1	Set	1
1036002	Horizontal Rail	1	Set	1
1036003	Vertical Rail	1	Set	1
1037000	Glass Side Front Connector Clip	1	Set	1
1037001	Glass Side Adapter Front- Gallery	1	Set	1
1037002	Glass Side Adapter Back- Gallery	1	Set	1
1037003	Glass Side Adapter Front- Double Gallery	1	Set	1
1037004	Glass Side Adapter Back- Double Gallery	1	Set	1
1037005	Front Glass Bracket	1	Set	1
1038000	Aluminiumm Front Handle Profile- 1100 mm	1	Set	1
1038001	Square Rod Front Handle- 1100 mm	1	Set	1
1038002	Front Bracket Normal Drawer	1	Set	1
1038003	Front Bracket Single Gallery Drawer	1	Set	1
1038004	Front Bracket Double Gallery Drawer	1	Set	1

PVC

CUTLERY

Our **PVC cutlery** trays are available in various sizes and configurations, making them a perfect fit for modern kitchens. They're easy to clean, resistant to stains, and built to withstand daily use – ensuring your kitchen stays as functional as it is beautiful.





PVC CUTLERY TRAY

Features

- Made from durable and easy-to-clean PVC material.
- Designed to neatly organise forks, spoons, knives and other kitchen tools.
- Available in multiple compartment configurations for efficient storage.
- Non-slip base to prevent movement inside the drawer.
- Lightweight and water-resistant construction.
- Fits standard modular kitchen drawers.
- Enhances kitchen hygiene by keeping cutlery separated and ventilated.
- Available in custom sizes and colours to match kitchen aesthetics.



ARTICLE CODE	DESCRIPTION	QTY.	UNIT	PU
1035450	PVC Cutlery 450 mm	1	Pc	10
1035500	PVC Cutlery 500 mm	1	Pc	10
1035600	PVC Cutlery 600 mm	1	Pc	10
1035700	PVC Cutlery 700 mm	1	Pc	10
1035800	PVC Cutlery 800 mm	1	Pc	10
1035900	PVC Cutlery 900 mm	1	Pc	10

GAS SHOCK ABSORBER

Our **gas shock** absorbers offer smooth and controlled motion, eliminating sudden slams and ensuring the longevity of your furniture. Made with high-quality materials and cutting-edge technology, they're the ideal choice for anyone seeking enhanced performance and a sophisticated look.

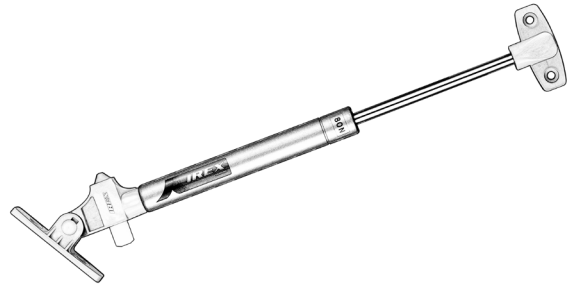




GAS SHOCK ABSORBER

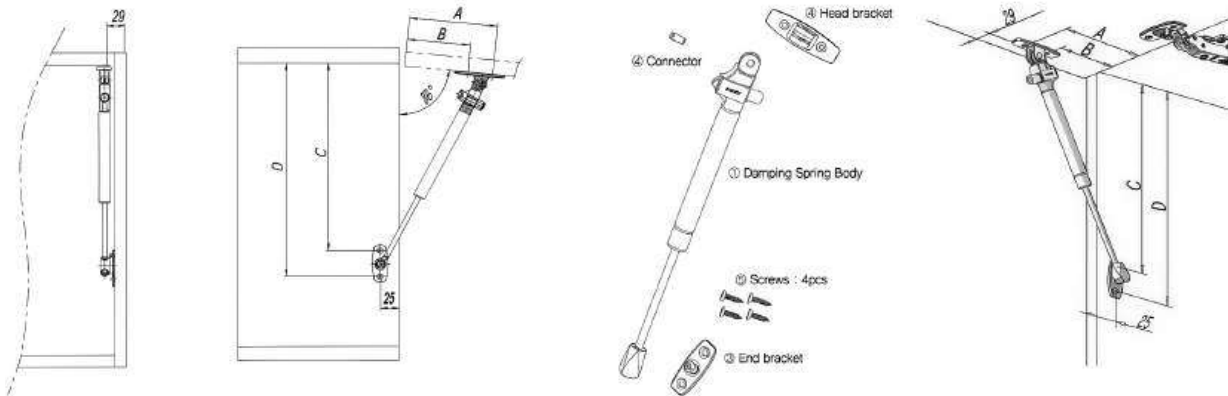
Features

- Available in multiple load capacities: 60N, 80N, 100N, 120N, and 150N.
- Provides smooth and controlled opening and closing of cabinet shutters.
- Minimizes noise and impact with its soft motion.
- Compact and durable design for long-lasting performance.
- Easy to install and compatible with various cabinet types.
- Ideal for overhead kitchen shutters and lift-up systems.



ARTICLE CODE	DESCRIPTION	QTY.	UNIT	PU
1040060	60N Gas Shock Absorber	1	Pc	10
1040080	80N Gas Shock Absorber	1	Pc	10
1040100	100N Gas Shock Absorber	1	Pc	10
1040120	120N Gas Shock Absorber	1	Pc	10
1040150	150N Gas Shock Absorber	1	Pc	10

DAMPING GAS SPRING INSTALLATION MANUAL

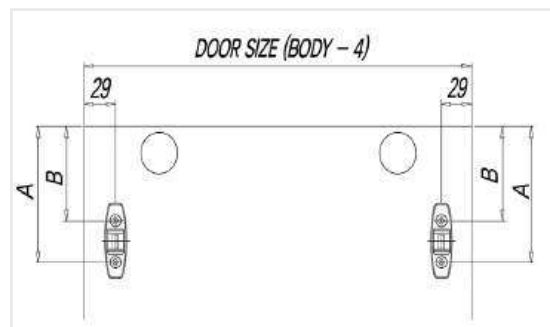


Front View Side View

Components

Stethoscopic View

H \ W	A	B	C	D
245 mm	111	79	251	283
180 mm	81	49	191	223
150 mm	71	39	163	195

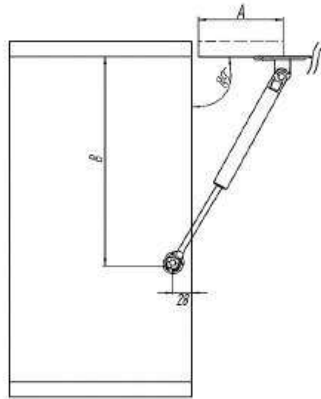




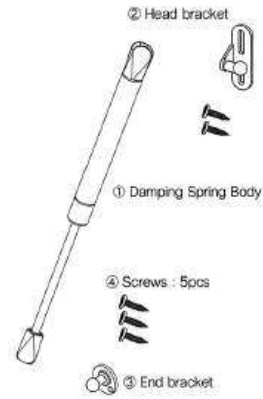
GAS SPRING INSTALLATION MANUAL



Front View

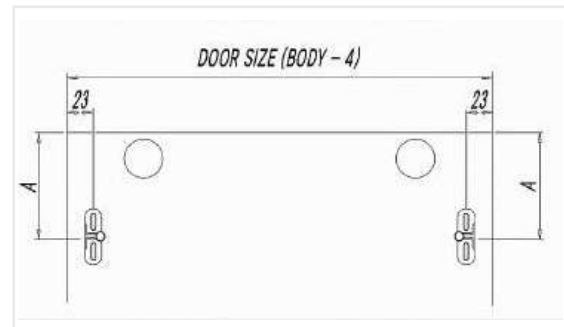


Side View



Components

H \ W	245	180	150
A	94	69	57
B	236	174	155



Application Table of Damping Gas Shock Absorber DOOR MDF 18T (45 S/T)

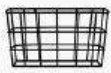
H \ W	400	500	600	700	800	900	1000	1100	1200
350	X	X	40	40	40	40	60	60	60
400	X	40	40	40	60	60	60	60	80
450	40	40	60	60	60	80	80	80	100
500	40	60	60	60	80	80	80	100	100
550	60	60	80	80	80	100	100	120	120
600	60	80	80	100	100	120	120	150	150
650	60	80	100	120	120	150	150	X	X
700	80	100	100	120	150	150	X	X	X

WIRE ACCESSORIES

BASKETS | TROLLEYS | PULL OUT |
PARTITION DIVIDER | 3/4TH WIRE CAROUSEL |
| OTHER ACCESSORIES

Maximise your modular kitchen space with premium **wire kitchen accessories** designed to organise cups, saucers, thalis, and other essentials. These stainless steel wire racks offer easy access, clutter-free storage, and a sleek, modern look. Perfect for Indian kitchens, they help keep your crockery neatly arranged while enhancing kitchen efficiency and aesthetics.





WIRE ACCESSORIES

BASKETS

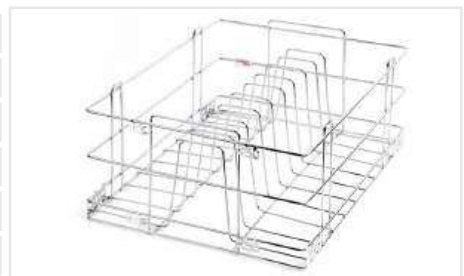
|MULTI PURPOSE BASKETS

ARTICLE CODE	DESCRIPTION	QTY.	UNIT	PU
2110154	15x20x4	1	Pc	6
2110156	15x20x6	1	Pc	4
2110158	15x20x8	1	Pc	3
2110174	17x20x4	1	Pc	6
2110176	17x20x6	1	Pc	4
2110178	17x20x8	1	Pc	3
2110194	19x20x4	1	Pc	6
2110196	19x20x6	1	Pc	4
2110198	19x20x8	1	Pc	3
2110214	21x20x4	1	Pc	6
2110216	21x20x6	1	Pc	4
2110218	21x20x8	1	Pc	3
2110244	24x20x4	1	Pc	6
2110246	24x20x6	1	Pc	4
2110248	24x20x8	1	Pc	3
2110274	27x20x4	1	Pc	6
2110276	27x20x6	1	Pc	4
2110278	27x20x8	1	Pc	3
2110334	33x20x4	1	Pc	6
2110336	33x20x6	1	Pc	4
2110338	33x20x8	1	Pc	3



|THALI BASKETS

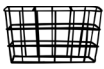
ARTICLE CODE	DESCRIPTION	QTY.	UNIT	PU
2111158	15x20x8	1	Pc	3
2111178	17x20x8	1	Pc	3
2111198	19x20x8	1	Pc	3
2111218	21x20x8	1	Pc	3
2111248	24x20x8	1	Pc	3



|PLATE BASKETS

ARTICLE CODE	DESCRIPTION	QTY.	UNIT	PU
2113156	15x20x6	1	Pc	4
2113176	17x20x6	1	Pc	4
2113196	19x20x6	1	Pc	4
2113216	21x20x6	1	Pc	4
2113246	24x20x6	1	Pc	4



**|CUP & SAUCER BASKETS**

ARTICLE CODE	DESCRIPTION	QTY.	UNIT	PU
2112154	15x20x4	1	Pc	6
2112174	17x20x4	1	Pc	6
2112194	19x20x4	1	Pc	6
2112214	21x20x4	1	Pc	6
2112244	24x20x4	1	Pc	6

**|VEGETABLE BASKETS**

ARTICLE CODE	DESCRIPTION	QTY.	UNIT	PU
2115156	15x20x6	1	Pc	4
2115176	17x20x6	1	Pc	4
2115196	19x20x6	1	Pc	4
2115216	21x20x6	1	Pc	4
2115246	24x20x6	1	Pc	4

**|PERFORATED CULTERY BASKETS**

ARTICLE CODE	DESCRIPTION	QTY.	UNIT	PU
2121154	15x20x4	1	Pc	6
2121174	17x20x4	1	Pc	6
2121194	19x20x4	1	Pc	6
2121214	21x20x4	1	Pc	6
2121244	24x20x4	1	Pc	6

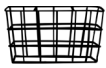
**TROLLEY****|GRAIN TROLLEY**

ARTICLE CODE	DESCRIPTION	QTY.	UNIT	PU
2116150	15x20x14	1	Pc	1
2116170	17x20x14	1	Pc	1
2116190	19x20x14	1	Pc	1
2116210	21x20x14	1	Pc	1

**|GRAIN TROLLEY WITH S/C UD RAIL MECHANISM**

ARTICLE CODE	DESCRIPTION	QTY.	UNIT	PU
2116151	15x20x14	1	Pc	1
2116171	17x20x14	1	Pc	1
2116191	19x20x14	1	Pc	1
2116211	21x20x14	1	Pc	1



**GRAIN TROLLEY WITHOUT FRAME**

ARTICLE CODE	DESCRIPTION	QTY.	UNIT	PU
2116152	15x20x14	1	Pc	1
2116172	17x20x14	1	Pc	1
2116192	19x20x14	1	Pc	1
2116212	21x20x14	1	Pc	1

**PULL OUT****WIRE BOTTLE PULL OUT**

ARTICLE CODE	DESCRIPTION	QTY.	UNIT	PU
2117100	4 Inch	1	Pc	1
2117150	6 Inch	1	Pc	1
2117200	8 Inch	1	Pc	1
2117250	10 Inch	1	Pc	1

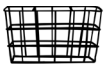
**MASALA PULL OUT**

ARTICLE CODE	DESCRIPTION	QTY.	UNIT	PU
2118100	4 Inch	1	Pc	1
2118150	6 Inch	1	Pc	1
2118200	8 Inch	1	Pc	1
2118250	10 Inch	1	Pc	1

**PARTITION DIVIDER**

ARTICLE CODE	DESCRIPTION	QTY.	UNIT	PU
2014004	20x4	1	Pc	1
2014006	20x6	1	Pc	1
2014008	20x8	1	Pc	1





3/4TH WIRE CAROUSEL (2 SHELVES)

ARTICLE CODE	DESCRIPTION	QTY.	UNIT	PU
2122600	600mm	1	Pc	1
2122675	675mm	1	Pc	1
2122750	750mm	1	Pc	1



OTHER ACCESSORIES

ARTICLE CODE	DESCRIPTION	QTY.	UNIT	PU
2020001	Detergent Holder	1	Pc	1
2020002	Bin Holder	1	Pc	1
2020003	Cylinder Trolley	1	Pc	1



KUM SERIES

GLASS BOTTLE PULL OUT | TANDEM BOTTLE
PULL OUT | GLASS PANTRY PULL OUT
TANDEM PANTRY PULL OUT | SWING TRAY
| MAGIC CORNER

KUM is a Korean word meaning Gold in English, which makes the nomenclature as Gold series. **KUM series** offers cost effective and cost engineered product range, which are Bottle pull out, pantry & corner solutions. Both the products are available in multiple sizes and two design options which are glass and tandem. The product ranges are designed keeping aesthetics into consideration along with mats ensuring no movement of material kept inside while opening or closing the drawers or wardrobe.





KUM SERIES

GLASS BOTTLE PULL OUT

Features

- Available in 2 Layers.
- Weight carrying capacity: 5 kg. Max 2.5 kg per basket recommended.
- Finish: Grey

Specifications

Cabinet Size	Product Size	Description
200	160 x 485 x 495	2 – Layer
250	210 x 485 x 495	2 – Layer
300	260 x 485 x 495	2 – Layer

ARTICLE CODE	DESCRIPTION	QTY.	UNIT	PU
3050200	200 mm (Glass Bottle Pullout)	1	Set	1
3050250	250 mm (Glass Bottle Pullout)	1	Set	1
3050300	300 mm (Glass Bottle Pullout)	1	Set	1



TANDEM PULL OUT

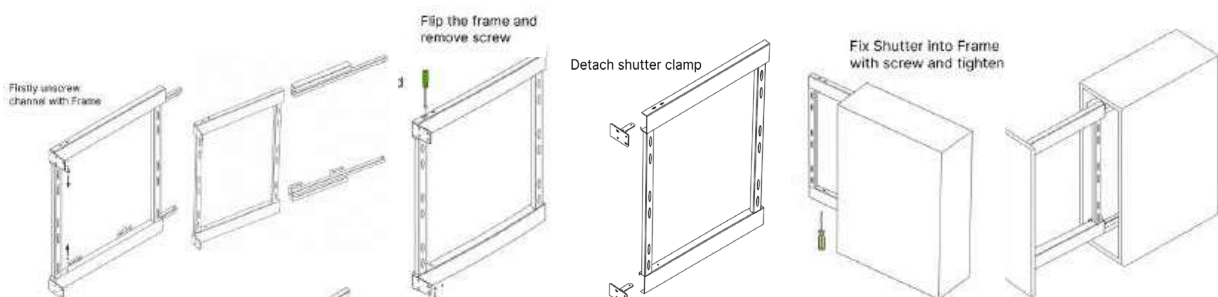
Features

- Frame Material: MS with powder coating.
- Available in 2 Layers.
- Weight carrying capacity: 5 kg. Max 2.5 kg per basket recommended.
- Finish: Grey

Specifications

Cabinet Size	Product Size	Description
200	160 x 485 x 495	2 – Layer
250	210 x 485 x 495	2 – Layer
300	260 x 485 x 495	2 – Layer

ARTICLE CODE	DESCRIPTION	QTY.	UNIT	PU
3070200	200 mm (Tandem Bottle Pullout)	1	Set	1
3070250	250 mm (Tandem Bottle Pullout)	1	Set	1
3070300	300 mm (Tandem Bottle Pullout)	1	Set	1





GLASS PANTRY PULL OUT

Features

- The front set of wireages opens with the door and rear shelf is automatically drawn forward.
- Baskets can be adjusted up & down.
- Seamless motion and soft-close opening.
- Finish: Grey
- 6 layered system.

Specifications

Cabinet Size(mm)	Product Size(mm)	Description
450	380 x 510 x 1820	6 – Layer
600	480 x 510 x 1820	6 – Layer

ARTICLE CODE	DESCRIPTION	QTY.	UNIT	PU
3060450	450 mm (Damping Glass Pantry Pullout Full Height)	1	Set	1
3060600	600 mm (Damping Glass Pantry Pullout Full Height)	1	Set	1



TANDEM GALLERY PULL OUT

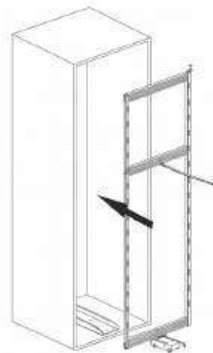
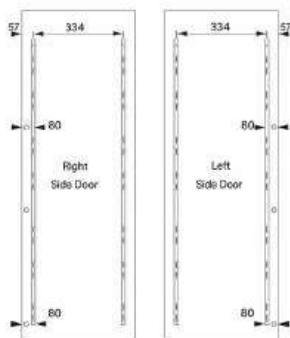
Features

- Tandem pantry unit – Aluminium.
- Frame Material: MS with powder coating.
- The front shelf swings open with the door and rear shelf is automatically drawn forward.
- Baskets can be adjusted up & down.
- Seamless motion and soft-close opening.
- Finish: Grey.
- 6 layered system.

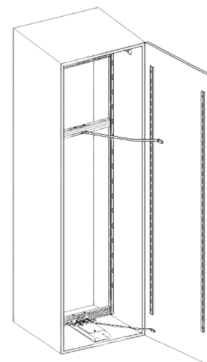
Specifications

Cabinet Size(mm)	Product Size(mm)	Description
450	380 x 510 x 1820	6 – Layer
600	480 x 510 x 1820	6 – Layer

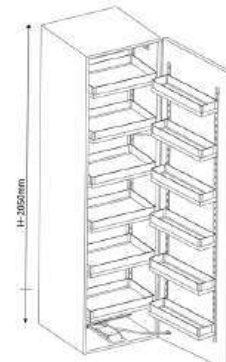
ARTICLE CODE	DESCRIPTION	QTY.	UNIT	PU
3080450	450 mm (Damping Tandem Pantry Pullout Full Height)	1	Set	1
3080600	600 mm (Damping Tandem Pantry Pullout Full Height)	1	Set	1



After fitting all parts check working



Fix baskets according to your need





SWING TRAY

Features

- Anti Slip Mats prepacked.
- Number of layers: 2.
- Eco-friendly, space-saving and convenient.
- Door opening minimum space: 450 mm.
- Weight carrying capacity: 7.5 kg per single tray recommended.
- Soft-close opening.
- Finish: Grey

Specifications

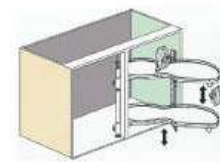
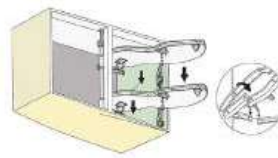
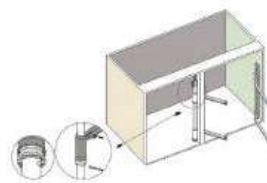
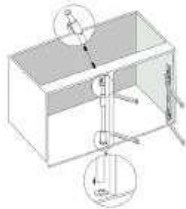
Size Specification (mm)

Dia. 815 x 400 x H-(600-700) = 2 Layer

Standard Cabinet

W-1050-1100mm x D-560mm x H-720mm

ARTICLE CODE	DESCRIPTION	QTY.	UNIT	PU
3091450	Swing Tray - Left	1	Set	1
3092450	Swing Tray - Right	1	Set	1



MAGIC CORNER

Features

- Frame Material: MS with powder coating
- This elegant corner brings a sleek look
- Door opening minimum space: 480 mm
- Weight carrying capacity: 15 kg, Max 10 kg per basket recommended
- Seamless motion and Soft closing
- Finish: Grey

Specifications

Basket Size

Glass: W-275 x D-445 x H-75 mm

Size Specification W-660 x D-515 x H-600-

Universal

Standard Cabinet

W=1050-1100 mm x D=560 mm x H=720 mm

Basket Size

Alluminium: W-280 x D-450 x H-75 mm

Size Specification

W-660 x D-515 x H-600-

Universal

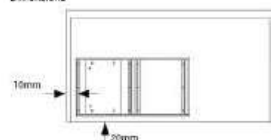
Standard Cabinet

W-1050-1100 mm x D-560 mm x H-720 mm

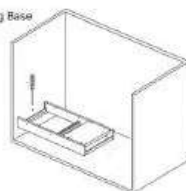
ARTICLE CODE	DESCRIPTION	QTY.	UNIT	PU
3093450	Magic Corner - Glass	1	Set	1
3094450	Magic Corner - Tandem	1	Set	1



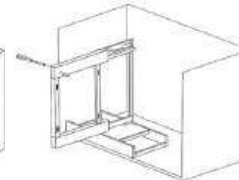
Place Bottom Base As Given Dimensions



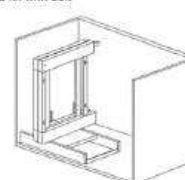
Fix Sliding Base



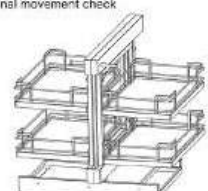
Fix handle as shown in drawing



Place frame on bottom base and fix with bolt



Hang baskets with hook, Final movement check



BAEKUM SERIES

STAINLESS STEEL DISH RACK | DIAMOND PANTRY
PULL OUT | PREMIUM BOTTLE PULL OUT |
WASTE BIN | PLATE RACK |
SS CUTLERY | ANTI BACTERIAL MAT |
CORNER SOLUTIONS | ROLLING SHUTTER

Baekum in Korean represents Platinum. We offer premium range of products under **Baekum series** which are categorized as pantry pull out solutions, Corner solutions, Stainless steel accessories and bottle pull out solutions. The products and solutions which we are offering are Dish racks, Complete pantry/Storage solutions in chrome finish, Corner solutions, Bottle pull outs in chrome finish, Stainless steel Cutlery tray, Plate rack, Waste bin pullout and Ecomat. In this as already mentioned, product comes in stainless steel material with a high quality Nickel-chrome plating. Aesthetics and functioning of products accordingly are superior and provides much ease in accessibility.





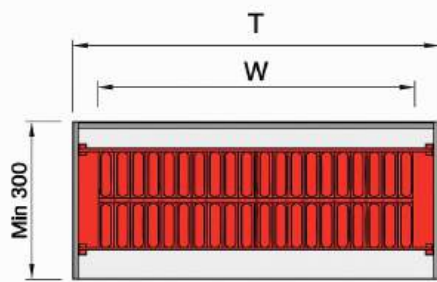
BAEKUM SERIES

STAINLESS STEEL DISH RACK

Specifications

Art No.	Cabinet (W)	Size (W, D, H)
4010600	600 mm	565 x 250 x (100+45) mm
4010700	700 mm	665 x 250 x (100+45) mm
4010800	800 mm	765 x 250 x (100+45) mm
4010900	900 mm	865 x 250 x (100+45) mm

Dimensions



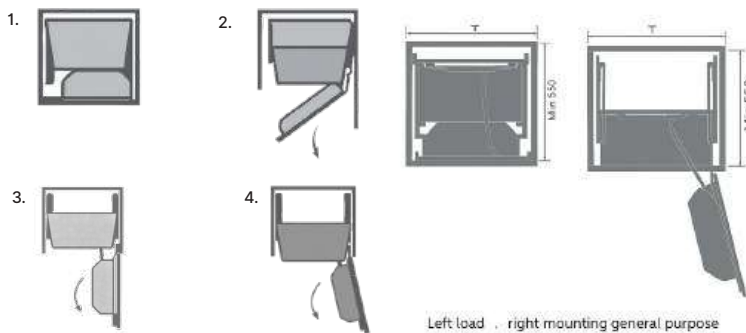
ARTICLE CODE	DESCRIPTION	QTY.	UNIT	PU
4010600	600 mm	1	Pc	5
4010700	700 mm	1	Pc	5
4010800	800 mm	1	Pc	5
4010900	900 mm	1	Pc	5

DIAMOND PANTRY PULL OUT

Specifications

Art No.	Cabinet (T)	Size (W, D, H)	Description
4011450	450/500 mm	385 x 500 x 1820 mm	6 layers
4011600	600 mm	535 x 500 x 1820 mm	6 layers

Dimensions



ARTICLE CODE	DESCRIPTION	QTY.	UNIT	PU
4011450	450 mm	1	Set	1
4011600	600 mm	1	Set	1





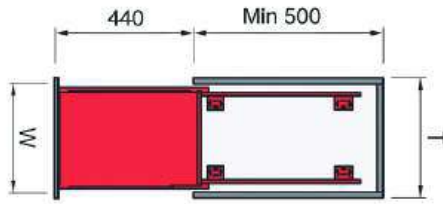
PREMIUM BOTTLE PULL OUT

Specifications

Art No.	Cabinet width	Size (W, D, H)
4012200	200 mm	135 x 460 x 580 mm
4012300	300 mm	235 x 460 x 580 mm

Description
 Tray Basket Diamond Style
 2 layers of wooden trays
 Anti Slip Mat
 Soft Close
 Left mounting

Dimensions



ARTICLE CODE	DESCRIPTION	QTY.	UNIT	PU
4012200	200 mm	1	Set	1
4012300	300 mm	1	Set	1

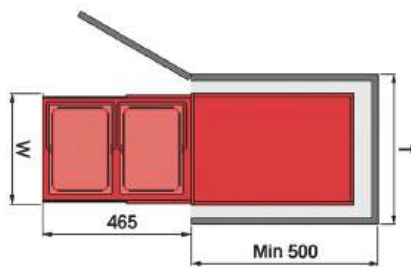
WASTE BIN

PULL OUT WASTE BIN

Specifications

Art No. 4013400
Cabinet (W)-400 mm
Size (W, D, H)-345 x 500 x 310 mm
Description- With 2 Barrel 15L each box
 Base mounting

Dimensions



ARTICLE CODE	DESCRIPTION	QTY.	UNIT	PU
4013400	Pull Out Waste Bin (15 Ltr x 2)	1	Set	1



AUTO LID WASTE BIN

Specifications

Art No. – 4013000
Cabinet (W) – 400 mm
Description – with Barrel 10L capacity

ARTICLE CODE	DESCRIPTION	QTY.	UNIT	PU
4013000	Auto Lid Waste Bin (10 Ltr)	1	Pc	8



PLATE RACK

ARTICLE CODE	DESCRIPTION	QTY.	UNIT	PU
4014100	Plate Rack	1	Pc	1



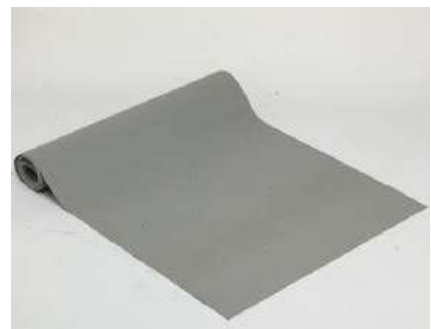
SS CUTLERY

ARTICLE CODE	DESCRIPTION	QTY.	UNIT	PU
4015600	450 mm	1	Pc	1



ANTI BACTERIAL MAT

ARTICLE CODE	DESCRIPTION	QTY.	UNIT	PU
4016500	Ecomat - 500X5000 mm	1	Pc	1





CORNER SOLUTIONS

MASEOLI TRAY SOFT CLOSE

Specifications

Art No. – 4017000
 Carcass Width – 1050 mm
 Shutter Width – 450 mm
 Description – 2 layers of wooden trays
 - Soft Close

ARTICLE CODE	DESCRIPTION	QTY.	UNIT	PU
4017000	Maseoli Tray Soft Close (Universal)	1	Pc	1



MASEOLI MAGIC SOFT CLOSE

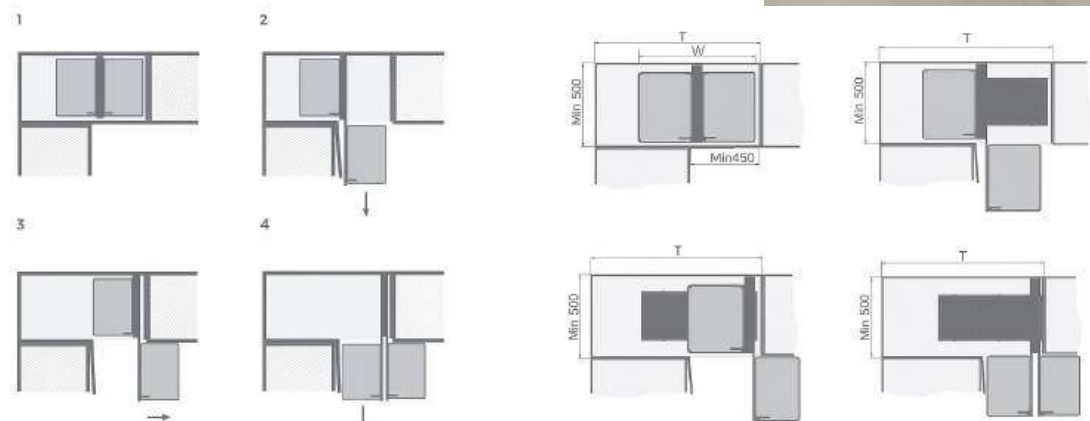
Specifications

Art No. – 4018000
 Carcass Width – 1050 mm
 Shutter Width – 450 mm
 Description – Diamond trays
 2 layers of wooden trays
 Anti slip mat and soft close

ARTICLE CODE	DESCRIPTION	QTY.	UNIT	PU
4018000	Maseoli Magic Soft Close (Universal)	1	Pc	1



Dimensions





ROLLING SHUTTER

ROLLING SHUTTER- PVC

Specifications

- Material - PVC
- Finish - Silver
- Width - 600mm
- Height - 1340mm



Specifications

- Material - PVC
- Finish - Grey
- Width - 600mm
- Height - 1340mm



ARTICLE CODE	DESCRIPTION	QTY.	UNIT	PU
4020001	Rolling Shutter PVC 600mm - Grey	1	Set	1
4020002	Rolling Shutter PVC 600mm - Silver	1	Set	1



ROLLING SHUTTER

ROLLING SHUTTER- GLASS

Specifications

- Material - Glass
- Finish - White
- Width - 600mm
- Height - 1340mm



Specifications

- Material - Glass
- Finish - Black
- Width - 600mm
- Height - 1340mm



Specifications

- Material - Glass
- Finish - Frosted
- Width - 600mm
- Height - 1340mm



ARTICLE CODE	DESCRIPTION	QTY.	UNIT	PU
4020005	Rolling Shutter Glass 600mm - White	1	Set	1
4020004	Rolling Shutter Glass 600mm - Black	1	Set	1
4020003	Rolling Shutter Glass 600mm - Frosted	1	Set	1

GENERAL HARDWARE

BUTT HINGES | BED FITTINGS | LOCKS
MAGNETIC CATCHER | SHELF SUPPORT | PVC LEGS
CONNECTING FITTINGS | PLINTH

Our **General Hardware** collection features high-performance components including butt hinges, plinths, bed fittings, screws, locks, pvc legs, magnetic catcher etc. Each product is engineered with precision to ensure durability, seamless installation, and long-term reliability for diverse furniture and architectural applications.





GENERAL HARDWARE

BUTT HINGES

BUTT HINGES WITH BEARING

ARTICLE CODE	DESCRIPTION	QTY.	UNIT	PU
1060433	Butt Hinge SS 304- 4x3x3	1	Set	25
1060533	Butt Hinge SS 304- 5x3x3	1	Set	25
1061433	Butt Hinge SS 202- 4x3x3	1	Set	25
1061533	Butt Hinge SS 202- 5x3x3	1	Set	25



BUTT HINGES WITHOUT BEARING

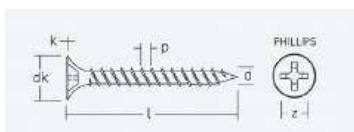
ARTICLE CODE	DESCRIPTION	QTY.	UNIT	PU
1062312W	Butt Hinge SS 202- 3x12	1	Set	50
1062412W	Butt Hinge SS 202- 4x12	1	Set	25
1062512W	Butt Hinge SS 202- 5x12	1	Set	25



DRYWALL SCREW

Specifications

- Finish - Black Phosphated



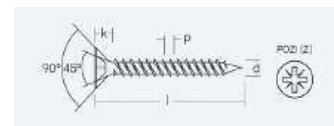
SIZE	3.5x	3.9x
(mm)	13	60
	19	70
	25	
	32	
	38	
	50	



CHIPBOARD SCREW

Specifications

- Finish - White Blue Zinc Plated, White Zinc Plated
- Head Recess - Philip



SIZE	3.5x	4x	5x
(mm)	13	16	50
		18	60
		20	70
		25	100
		30	
		35	
		40	
		50	
		60	
		70	





LOCKS

MULTIPURPOSE LOCKS

ARTICLE CODE	DESCRIPTION	QTY.	UNIT	PU
6020100	Economical (22mm)	1	Pc	240
6020200	Premium (22mm)	1	Pc	20



WARDROBE LOCKS

ARTICLE CODE	DESCRIPTION	QTY.	UNIT	PU
6020300	Lock (20 mm & 25 mm)	1	Pc	10



MAGNETIC CATCHER

ARTICLE CODE	DESCRIPTION	QTY.	UNIT	PU
6010200	Magnetic Catcher	1	Nos	50



SHELF SUPPORT

ARTICLE CODE	DESCRIPTION	QTY.	UNIT	PU
6010100	Shelf Support	1	Pc	5000



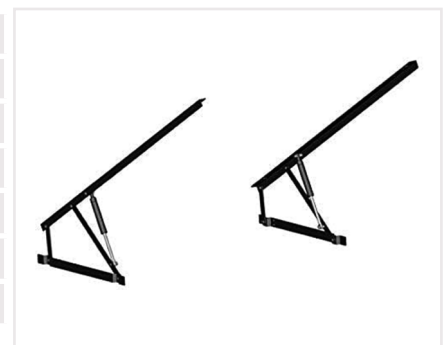
PVC LEGS

ARTICLE CODE	DESCRIPTION	QTY.	UNIT	PU
6040100	PVC Leg - 100mm (4 inch)	1	Pc	140
6040075	PVC Leg - 75mm (3 inch)	1	Pc	180
6040101	PVC Clip	1	Pc	200



BED FITTINGS

ARTICLE CODE	DESCRIPTION	QTY.	UNIT	PU
6030000	Frame Heavy Duty	1	Nos	1
6030100	Shock Absorber 100kg	1	Set	1
6030125	Shock Absorber 125kg	1	Set	1
6030150	Shock Absorber 150kg	1	Set	1
6030175	Shock Absorber 175kg	1	Set	1
6030200	Shock Absorber 200kg	1	Set	1





CONNECTING FITTINGS

ARTICLE CODE	DESCRIPTION	QTY.	UNIT	PU
6010300	Cam 15x18-Nickel Plated	1	Pc	2000
6010310	Screw-In-Dowel-M6	1	Pc	2000
6010320	Nylon Sleeve-10mm Dia (M6)	1	Pc	2000
6010330	Wooden Dowel-8x40mm	1	Pc	2000
5016015	Cabinet Suspension Bracket	1	Pc	280



PLINTH

|PLINTH- BLACK



ARTICLE CODE	DESCRIPTION	QTY.	UNIT	PU
6044100	Cover 100mm*3000mm	1	Pc	10
6044150	Cover 150mm*3000mm	1	Pc	10
6045100	90 Degree Corner 100mm	1	Pc	8
6045150	90 Degree Corner 150mm	1	Pc	8
6046100	180 Degree Corner 100mm	1	Pc	4
6046150	180 Degree Corner 150mm	1	Pc	4

|PLINTH- SILVER



ARTICLE CODE	DESCRIPTION	QTY.	UNIT	PU
6041100	Cover 100mm*3000mm	1	Pc	10
6041150	Cover 150mm*3000mm	1	Pc	10
6042100	90 Degree Corner 100mm	1	Pc	8
6042150	90 Degree Corner 150mm	1	Pc	8
6043100	180 Degree Corner 100mm	1	Pc	4
6043150	180 Degree Corner 150mm	1	Pc	4

ALUMINIUM PROFILES

F PROFILE | J GOLA PROFILE | C GOLA PROFILE
L PROFILE | 22 MM FRAME | 22 MM F HANDLE
G PROFILE | 45 MM FRAME | 45 MM L HANDLE
50 MM FRAME | 50 MM I HANDLE | J PROFILE

Our **Aluminium Profiles** are crafted with precision to deliver strength, lightweight performance, and corrosion resistance. Designed for versatile applications in furniture and interiors, they provide seamless integration, modern aesthetics, and long-lasting durability.



**ALUMINIUM PROFILES**

PRODUCTS	DRAWING	PROFILE NAME- COLOUR	
7000810		F Profile - Matt	
7000820		F Profile - Rose Gold	
7000830		F Profile - Iron Grey	
7000840		F Profile - Matt Black	
7000850		F Profile - Matt Gold Brush	
7000710		J Gola Profile - Matt	
7000720		J Gola Profile - Rose Matt	
7000730		J Gola Profile - Iron Grey	
7000740		J Gola Profile - Matt Black	
7000750		J Gola Profile - Matt Gold Brush	
7000910		C Gola Profile - Matt	
7000920		C Gola Profile - Rose Matt	
7000930		C Gola Profile - Iron Grey	
7000940		C Gola Profile - Matt Black	
7000950		C Gola Profile - Matt Gold Brush	
7000210		L Profile - Matt	
7000220		L Profile - Rose Gold	
7000230		L Profile - Iron Grey	
7000240		L Profile - Matt Black	
7000250		L Profile - Matt Gold Brush	
7002520		22 mm Frame – Rose Gold	
7002530		22 mm Frame – Iron Grey	
7002540		22 mm Frame – Matt Black	
7002550		22 mm Frame – Matt Gold Brush	
7002523x		22 mm F Handle – Rose Gold	
7002533		22 mm F Handle – Iron Grey	
7002543		22 mm F Handle – Matt Black	
7002553		22 mm F Handle – Matt Gold Brush	
7000110		G Profile - Matt	
7000120		G Profile - Rose Gold	
7000130		G Profile - Iron Grey	
7000140		G Profile - Matt Black	
7000150		G Profile - Matt Gold Brush	
7004510		45 mm Frame - Matt	
7004520		45 mm Frame - Rose Gold	
7004530		45 mm Frame - Iron Grey	
7004540		45 mm Frame - Matt Black	
7004550		45 mm Frame - Matt Gold Brush	



PRODUCTS	DRAWING	PROFILE NAME- COLOUR	
7004511		45 mm L Handle - Matt	
7004521		45 mm L Handle - Rose Gold	
7004531		45 mm L Handle - Iron Grey	
7004541		45 mm L Handle - Matt Black	
7004551		45 mm L Handle - Matt Gold Brush	
7005010		50 mm Frame - Matt	
7005020		50 mm Frame - Rose Gold	
7005030		50 mm Frame - Iron Grey	
7005040		50 mm Frame - Matt Black	
7005050		50 mm Frame - Matt Gold Brush	
7005012		50 mm I Handle - Matt	
7005022		50 mm I Handle - Rose Gold	
7005032		50 mm I Handle - Iron Grey	
7005042		50 mm I Handle - Matt Black	
7005052		50 mm I Handle - Matt Gold Brush	
7000410		J Profile - Matt	
7000420		J Profile - Rose Gold	
7000430		J Profile - Iron Grey	
7000440		J Profile - Matt Black	
7000450		J Profile - Matt Gold Brush	
7004512		45 mm I Handle- Matt	
7004522		45 mm I Handle- Rose Gold	
7004532		45 mm I Handle- Iron Grey	
7004542		45 mm I Handle- Matt Black	
7004551		45 mm I Handle- Matt Gold Brush	
70005140		50mm Curved Frame Profile- Matt Black	
70005150		50mm Curved Frame Profile- Matt Gold Brush	
70005142		Handle for 50mm Curved Frame Profile- Matt Black	
70005152		Handle for 50mm Curved Frame Profile- Matt Gold Brush	
7000504		Frame Profile Connector	
7000502		Gola Profile Connector	
7000503		22 mm Profile Connector	

OSJANG SERIES

JEWELLERY BOX | RATTAN STORAGE BASKET

TROUSER RACK | SHOE RACKS

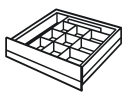
WARDROBE LIFT | WARDROBE TUBE

REVOLVING SHOE RACK | DIGITAL LOCKER SLIDING |

PUSH TO OPEN FITTING

Samsung Irex's **wardrobe accessories** are designed to maximize space and simplify your daily routine. Our accessories are built with durable materials and innovative designs that complement the modern lifestyle.

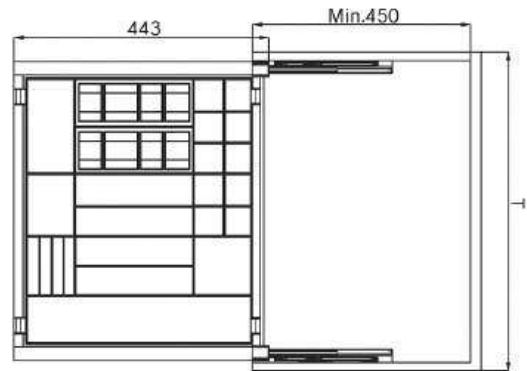




JEWELLERY BOX



Dimensions



Specifications

ARTICLE CODE	DESCRIPTION	CAB-INET WIDTH	SIZE (W,D,H)	MATERIAL	COLOUR
5010600	Two way soft closing; Soft closing distance 53 mm; Adjustable Max +20 with jewellery box inside with beige fabric	600 mm	564~584x443x70mm	High strength aluminium frame, with inner box	Mocca
5010900	Two way soft closing; Soft closing distance 53 mm; Adjustable Max +20 with jewellery box inside with beige fabric	900 mm	864~884x443x70mm	High strength aluminium frame, with inner box	Mocca

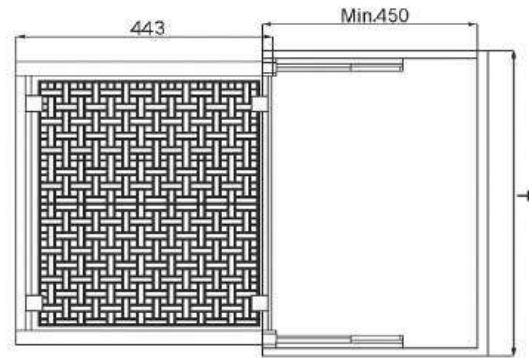
ARTICLE CODE	DESCRIPTION	QTY.	UNIT	PU
5010600	600 mm	1	Set	1
5010900	900 mm	1	Set	1



RATTAN STORAGE BASKET



Dimensions



Specifications

ARTICLE CODE	DESCRIPTION	CABINET WIDTH	SIZE (W,D,H)	MATERIAL	COLOUR
5011600	Two way soft closing; Soft closing distance 53 mm; Adjustable Max +20	600 mm	564~584x443x170mm	High strength aluminium frame, with PVC Rattan basket	Mocca
5011900	Two way soft closing; Soft closing distance 53 mm; Adjustable Max +20	900 mm	864~884x443x170mm	High strength aluminium frame, with PVC Rattan basket	Mocca

ARTICLE CODE	DESCRIPTION	QTY.	UNIT	PU
5011600	600 mm	1	Set	1
5011900	900 mm	1	Set	1

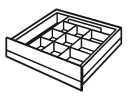
TROUSER RACK



Specifications

ARTICLE CODE	DESCRIPTION	CABINET WIDTH	SIZE (W,D,H)	MATERIAL	COLOUR
5012600	Two way soft closing; Soft closing distance 53 mm; Adjustable Max +20	600 mm	564~584x443x70mm	High strength aluminium frame, with inner box	Mocca
5012900	Two way soft closing; Soft closing distance 53 mm; Adjustable Max +20	900 mm	864~884x443x70mm	High strength aluminium frame, with inner box	Mocca

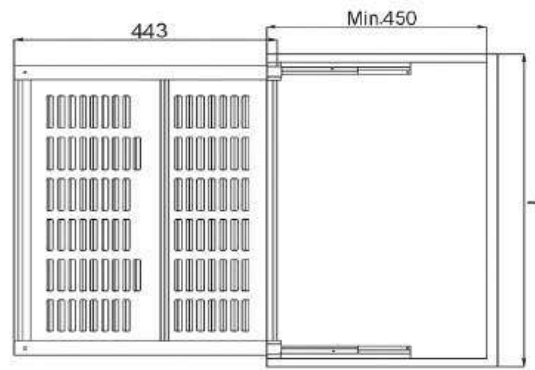
ARTICLE CODE	DESCRIPTION	QTY.	UNIT	PU
5012600	600 mm	1	Set	1
5012900	900 mm	1	Set	1



SHOES RACK



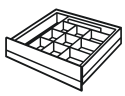
Dimensions



Specifications

ARTICLE CODE	DESCRIPTION	CABINET WIDTH	SIZE (W,D,H)	MATERIAL	COLOUR
5013600	Two way soft closing; Soft closing distance 53 mm; Adjustable Max +20	600 mm	564~584x443x170mm	High strength aluminium frame, with steel board type shoes rack	Mocca
5013900	Two way soft closing; Soft closing distance 53 mm; Adjustable Max +20	900 mm	864~884x443x170mm	High strength aluminium frame, with steel board type shoes rack	Mocca

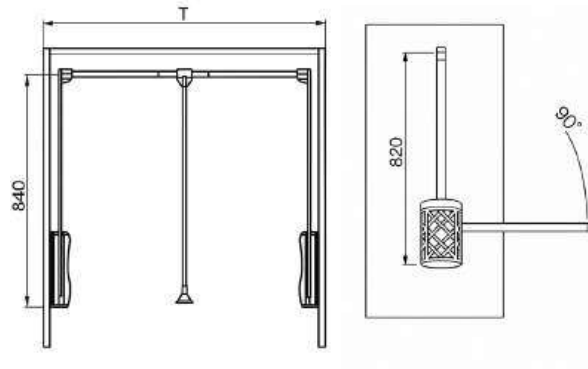
ARTICLE CODE	DESCRIPTION	QTY.	UNIT	PU
5013600	600 mm	1	Set	1
5013900	900 mm	1	Set	1



WARDROBE LIFT



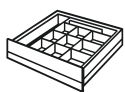
Dimensions



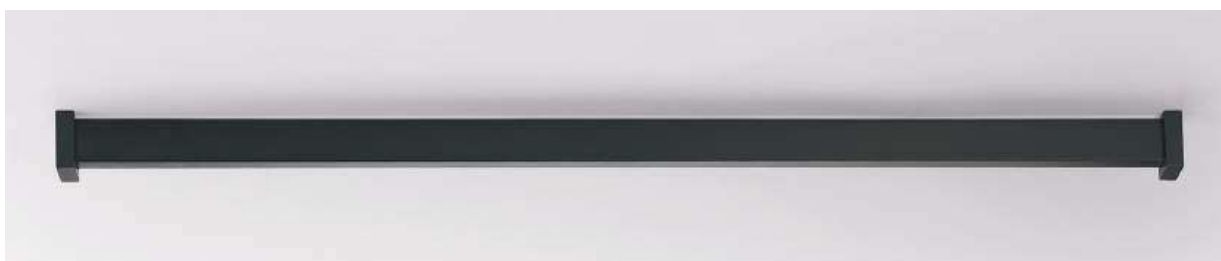
Specifications

ARTICLE CODE	DESCRIPTION	SIZE (CABINET WIDTH T)	MATERIAL	COLOUR
5015001	Soft closing; smooth and quiet	880mm - 1270 mm	Aluminium	Mocca

ARTICLE CODE	DESCRIPTION	QTY.	UNIT	PU
5015001	880 mm- 1270 mm	1	Set	6



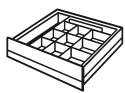
TUBE








Specifications

ARTICLE CODE	DESCRIPTION	SIZE	MATERIAL	COLOUR
5016001	Side mounted clothes hanger Simple and Fashion	3000mm	Aluminium	Mocca
5016002	2pc ST4*16 screw	-	Zamak	Mocca

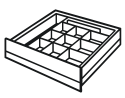
ARTICLE CODE	DESCRIPTION	QTY.	UNIT	PU
5016001	3000 mm	1	Set	1
5016002	Mount	1	Set	1

**WARDROBE TUBE- BLACK**

PRODUCT	ARTICLE CODE	DESCRIPTION	QTY.	UNIT	PU
	5016010	RECTANGULAR WARDROBE TUBE BLACK 12×30 (3000mm)	1	Pc	10
	5016011	RECTANGULAR SUPPORT WALL TO WALL	1	Pc	80
	5016012	RECTANGULAR END TOP SUPPORT	1	Pc	50
	5016013	RECTANGULAR CENTER SUPPORT	1	Pc	50
	5016014	RECTANGULAR TWO WAY SUPPORT	1	Pc	20

WARDROBE TUBE- CHROME

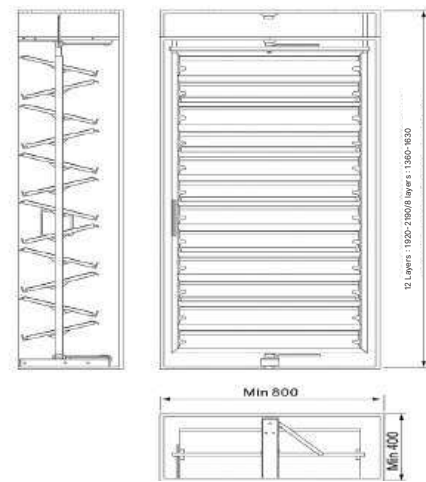
PRODUCT	ARTICLE CODE	DESCRIPTION	QTY.	UNIT	PU
	5016003	OVAL TUBE CP (3000mm)	1	Pc	10
	5016004	OVAL WALL TO WALL SUPPORT ECO CP	1	Pc	200
	5016005	OVAL WALL TO WALL SUPPORT STANDARD CP	1	Pc	80
	5016006	OVAL WALL TO WALL SUPPORT CP PREMIUM	1	Pc	80
	5016007	OVAL END TOP SUPPORT CP	1	Pc	50
	5016008	OVAL CENTER SUPPORT CP	1	Pc	50
	5016009	OVAL SUPPORT TWO WAY CP	1	Pc	20



REVOLVING SHOE RACK



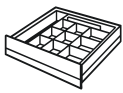
Dimensions



Specifications

ARTICLE CODE	DESCRIPTION	CABINET WIDTH	SIZE (W,D,H)	COLOUR
5014012	360 degrees revolving frame can be adjustable 270 mm 12 layers	800 mm	700x340x2000~2250 mm Twelve layer shoe rack	Mocca

ARTICLE CODE	DESCRIPTION	QTY.	UNIT	PU
5014012	800 mm	1	Set	1



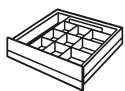
DIGITAL LOCKER



Specifications

ARTICLE CODE	DESCRIPTION	CABINET WIDTH	SIZE (W,D,H)	COLOUR
5017600	Touchscreen password/ fingerprint password/ key concealed locker	600 mm	564x400x150 mm	Mocca

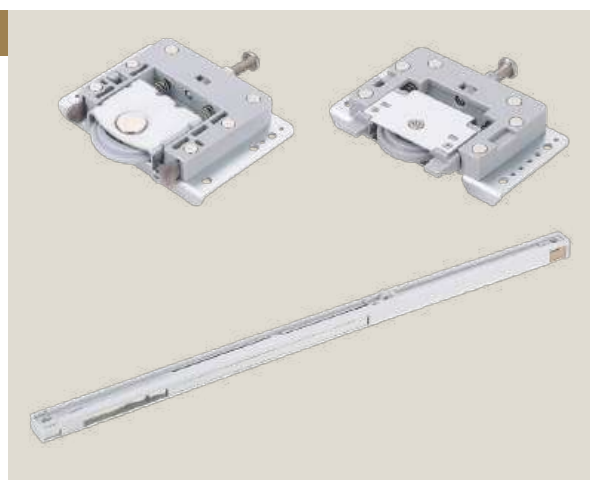
ARTICLE CODE	DESCRIPTION	QTY.	UNIT	PU
5017600	KUMGO Concealed Locker	1	Pc	1



DOUBLE TRACK SLIDING

Features

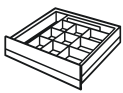
- Track length available 2.4 m and 4 m.
- Two finishes available: aluminium matt and matt black.
- Soft opening and soft closing.
- Maximum shutter size 1200 x 2400 mm.
- Maximum weight capacity 50 kg per shutter.
- Bottom cover profile for dust protection

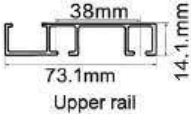
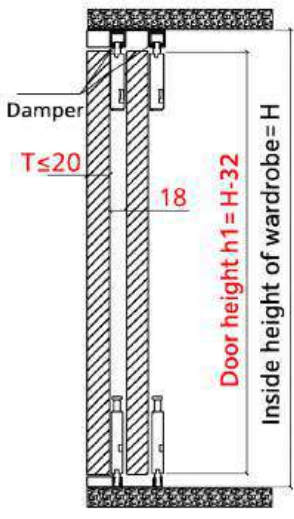
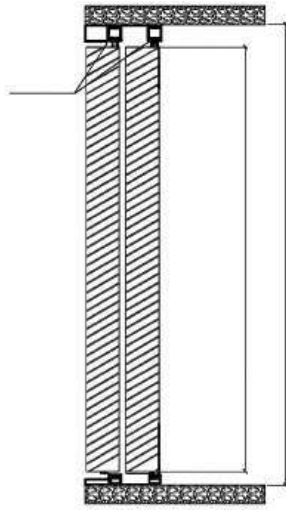





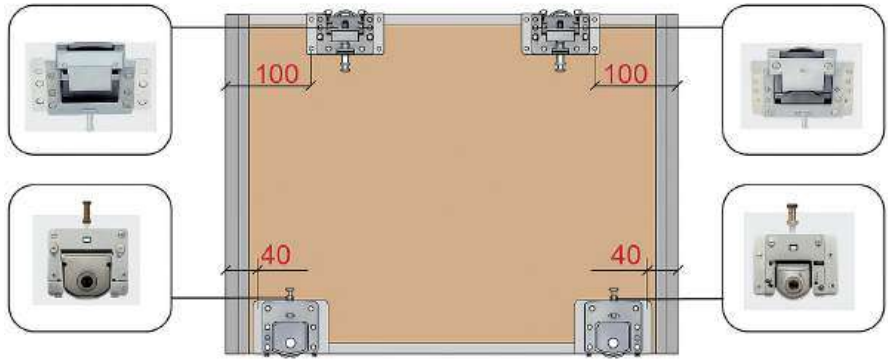
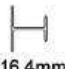
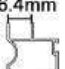
ARTICLE CODE	DESCRIPTION	QTY.	UNIT	PU
5019010	Double Track Sliding Kit	1	Set	10
7000511	Sliding Profile Top 2.4M – Matt	1	Set	10
7000512	Sliding Profile Bottom 2.4M – Matt	1	Set	10
7000513	Sliding Profile Cover 2.4M – Matt	1	Set	10
7000541	Sliding Profile Top 2.4M – Matt Black	1	Set	10
7000542	Sliding Profile Bottom 2.4M – Matt Black	1	Set	10
7000543	Sliding Profile Cover 2.4M – Matt Black	1	Set	10
7000611	Sliding Profile Top 4M – Matt	1	Set	10
7000612	Sliding Profile Bottom 4M – Matt	1	Set	10
7000613	Sliding Profile Cover 4M – Matt	1	Set	10
7000623	Sliding Profile Cover 4M – Matt Black	1	Set	10
7000641	Sliding Profile Top 4M – Matt Black	1	Set	10
7000642	Sliding Profile Bottom 4M – Matt Black	1	Set	10

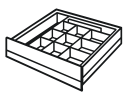
5019010 Soft closing Sliding Door System Installation Guide

ACCESSORIES	PICTURE	2 DOOR	3 DOOR	ACCESSORIES	PICTURE	2 DOOR	3 DOOR
Upper runner		4Pc	6Pc	Down runner		4Pc	6Pc
Allen Key		1Pc	1Pc	ST4x14 Cross recessed pan head tapping screw		32Pc	48Pc
Upper Rail		1Pc	1Pc	Down rail		1Pc	1Pc
Spacer		8Pc	12Pc	Down Rail cover (For Optional)		1Pc	1Pc
Damper						4Pc	4Pc



Rail Size	Wood Door Installation Picture	Wood Door Installation Picture
 <p>38mm 73.1mm Upper rail 14.1mm</p>	 <p>Damper $T \leq 20$ 18 Door height $h_1 = H - 32$ Inside height of wardrobe = H</p>	
 <p>38mm 69.1mm Down rail 6mm</p>		
 <p>27.6mm Down rail cover (for optional) 5.3mm</p>		

Aluminium Frame Picture(option)	Runner Installation Picture
 <p>16mm Upper/Down Frame</p>	 <p>100 100 40 40</p>
 <p>16.4mm Middle Frame</p>	
 <p>16.4mm Profile Handle</p>	



Damper Installation

Attention for damper direction

Attention for damper direction

≈30mm
Push the damper with 30mm distance into rail

2.Rail Installation

3.Runner Installation

Only aluminum frame door need to install spacer with runner

Lock upper runner

Lock down runner

4.Door Installation

First install down runner then upper runner
unlock runner after door installation

unlock upper runner

unlock down runner

5.Damper position

Push the hook to the position according to picture

Push the door to end of rail

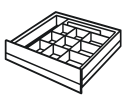
6.Screw the damper

Use allen key screw the damper on rail

7.Regulate the door gap

1.Regulate the screw on runner

2.Adjust the nut to suitable position and fasten it



PLUTO DAMPING SLIDING SYSTEM

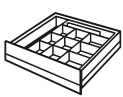
Features

- Available in 3m.
- Finish available in Silver Matt.
- Each door comes with soft opening & soft closing.
- Maximum shutter height 2400 mm.
- Maximum weight capacity 50 kg per shutter

PLUTO is a damping sliding system hardware for front track mounting type wardrobes. It includes features like special door locks, door thickness control, and installation jigs that allow different configurations based on the user's setup and help reduce installation time. If a middle damping stopper is used, which is designed for safety to prevent the three-door mechanism and trigger from breaking, the system allows the central door to open and close freely and safely in any direction, regardless of the room layout.



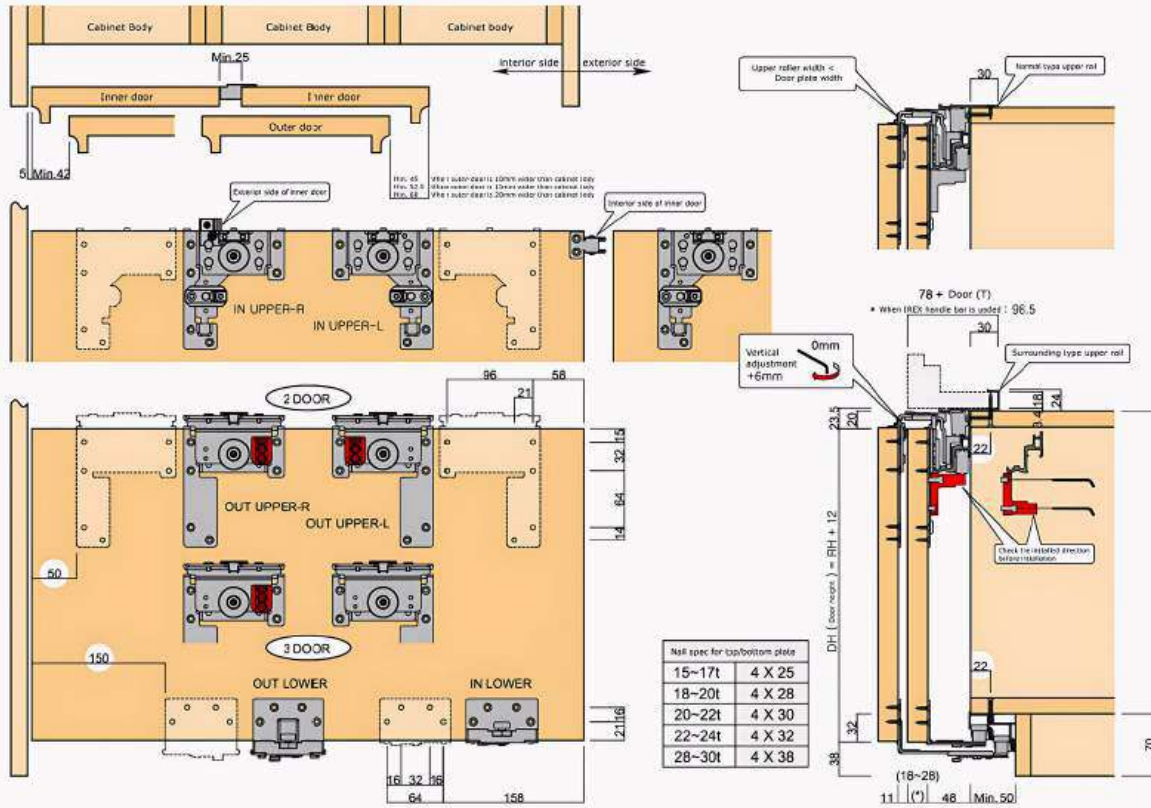
ARTICLE CODE	DESCRIPTION	QTY.	UNIT	PU
5019020	Pluto Damping Sliding System (2 Doors)	1	Set	4
5019030	Pluto Damping Sliding System (3 Doors)	1	Set	4



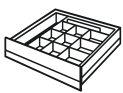
FRONT RUNNING SLIDING SYSTEM

FRONT RUNNING SLIDING SYSTEM

PRODUCT OVERVIEW



SPECIFICATION	QTY		SPECIFICATION	QTY		SPECIFICATION	QTY		SPECIFICATION	QTY	
	2D8	3D11		2D8	3D11		2D8	3D11		2D8	3D11
OUT UPPER -R	1	1	OUT UPPER -L	1	0	HANDLE GUARD M5*8	1	2	INNER DOOR STOPPER	0	1
			OUT UPPER -LX	0	1	4*38 SCREW	10	10	4*16 STEEL SCREW	10	10
						4*16 SCREW	40	60	4*26 SCREW (WASHER HEAD)	10	10
						L- WRENCH (3mm)				1	1
IN UPPER -R	1	2	IN UPPER -L	1	2	LOWER DAMPER				4	4
						UPPER DAMPER (for IN DOOR)				2	4
OUT LOWER	2	2	IN LOWER	2	4	UPPER DAMPER-R (for OUT DOOR)				1	1
						UPPER DAMPER-L (for OUT DOOR)				1	1
			RAIL CONNECTOR STEEL PLATE + M4*15 BOLT		OPTION	MIDDLE DAMPER				0	1

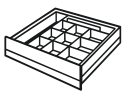


FRONT RUNNING SLIDING SYSTEM

FRONT RUNNING SLIDING SYSTEM

INSTALLATION GUIDE

<p>Drill on side plate & upper rail</p>	<p>Drill on top plate & upper rail</p>	<p>Insert dampers in upper/lower rails</p>
<p>Drill on interior side of top plate</p> <p><small>*Only for surrounding type</small></p>	<p>Fix rail position with nails</p>	<p>Add more nails to fix the rail firmly</p>
<p>Drill on the bottom plate & install lower rail</p>	<p>Adjust depth of outer roller (initial D=22)</p>	<p>Install handle guard & inner upper roller</p>
<p>Install inner door stopper for 3-door-type</p>	<p>Unfasten vertical adjustment bolt (0mm)</p>	<p>Install upper/lower rollers on the doors</p> <p><small>*Refer to layout chart for details</small></p>

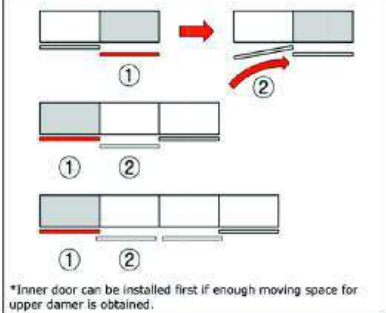


FRONT RUNNING SLIDING SYSTEM

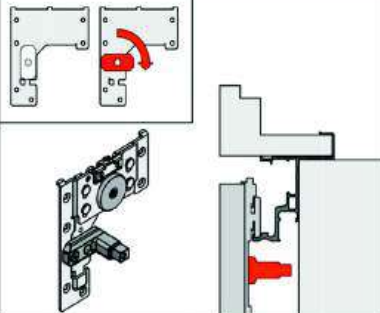
FRONT RUNNING SLIDING SYSTEM

INSTALLATION GUIDE

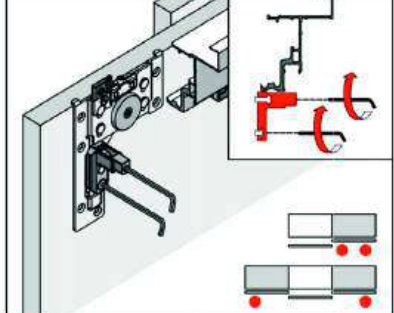
Recommended to install inner door first for 2-door type



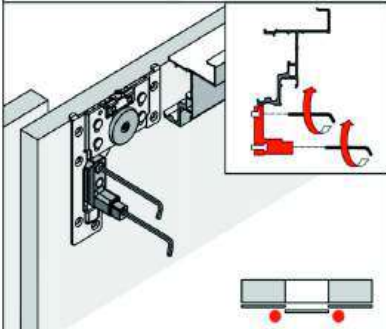
Release the fixation lever & install inner door



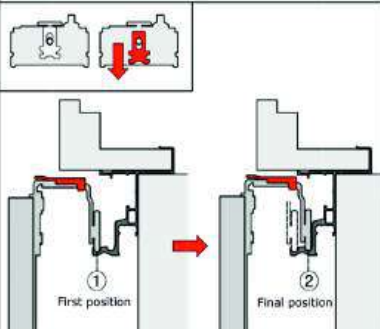
Install inner door upper damper & lock the fixation lever. Then fix the inner lower roller



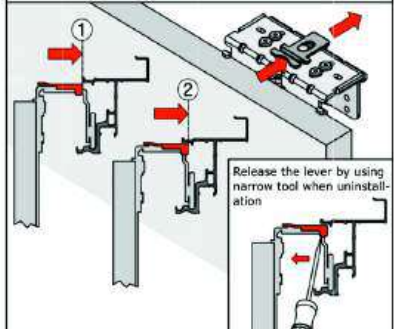
Lock the fixation lever on interior side & fix inner lower roller



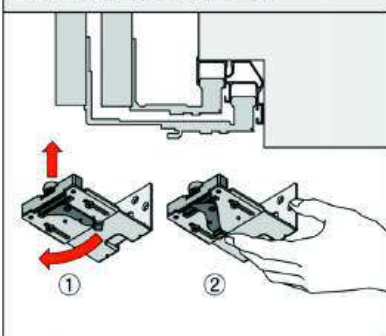
Release the fixation lever & install outer door



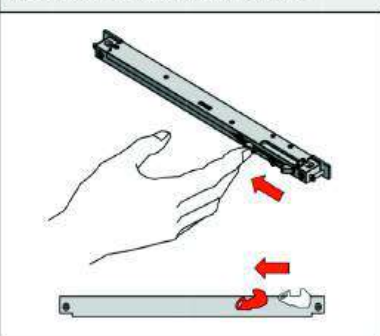
Lock the fixation lever on outer door



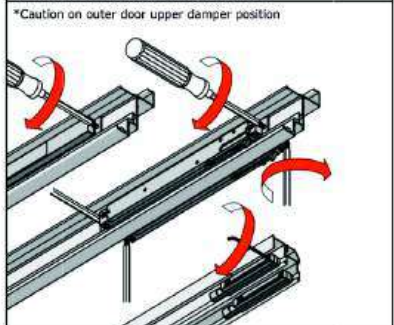
Fix the lower roller for outer door



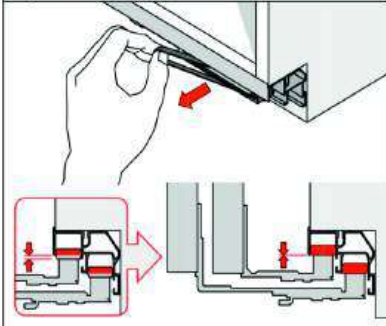
Move the trigger and install on roller



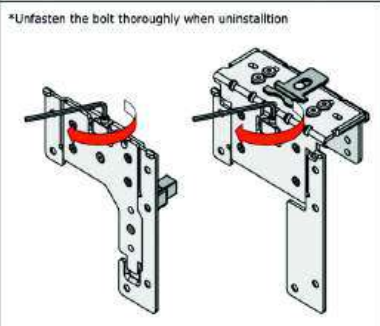
Adjust the damper position by sliding the door & install on appropriate position



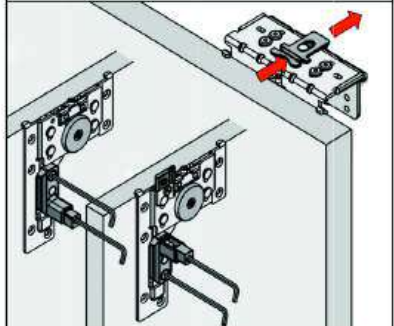
Remove the damper band & adjust bearing position

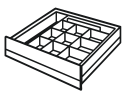


Fasten to adjust door vertical position.



Make sure the fixation lever is fastened tight



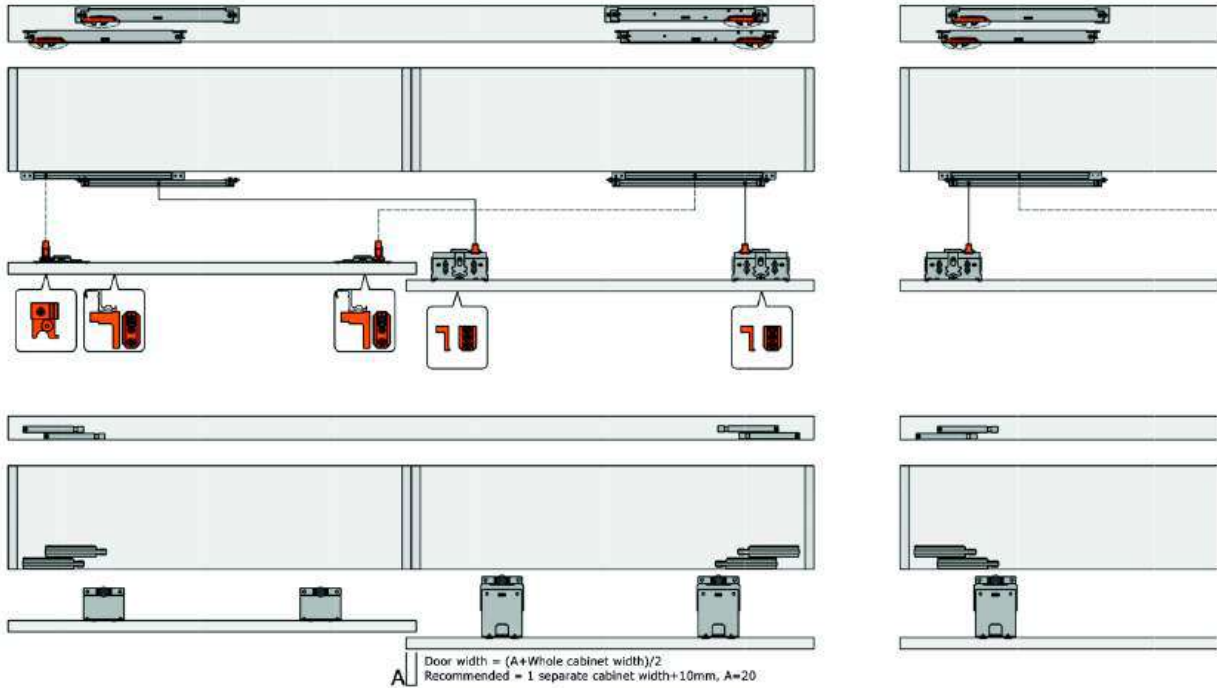


FRONT RUNNING SLIDING SYSTEM

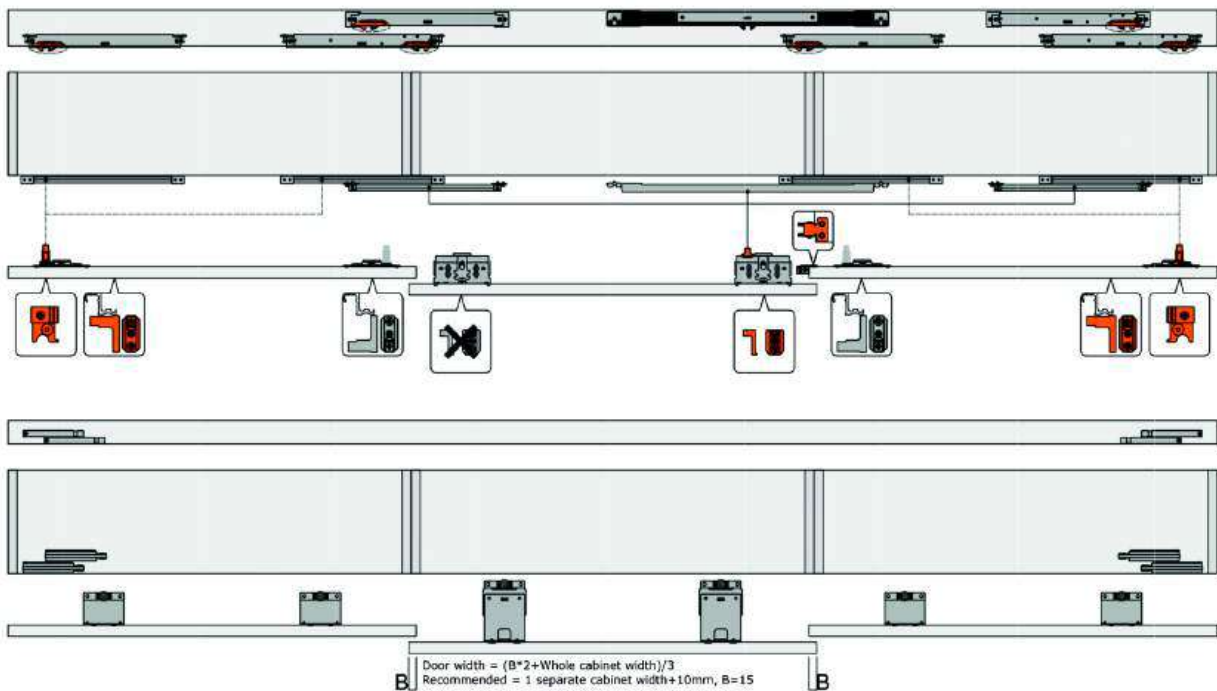
FRONT RUNNING SLIDING SYSTEM

DAMPER & BUFFER LAYOUT CHART

2 / 4 DOORS LAY-OUT



3 DOORS LAY-OUT



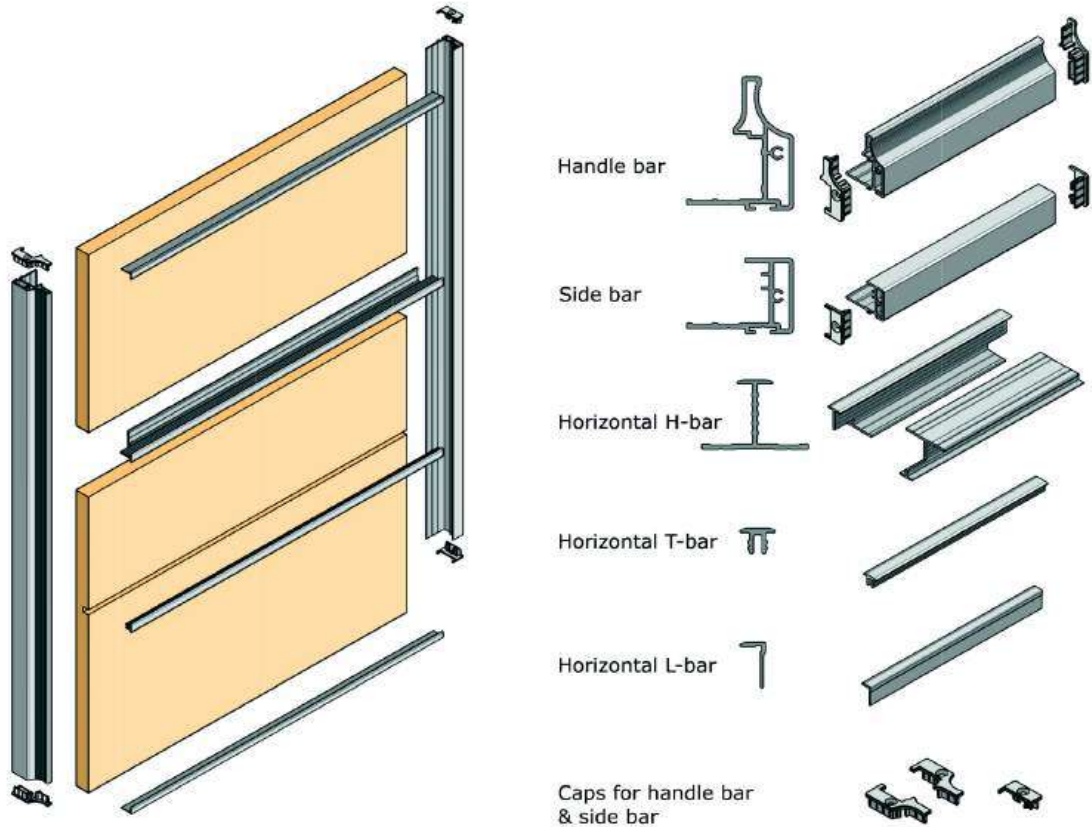


DOOR HANDLE PROFILE SYSTEM

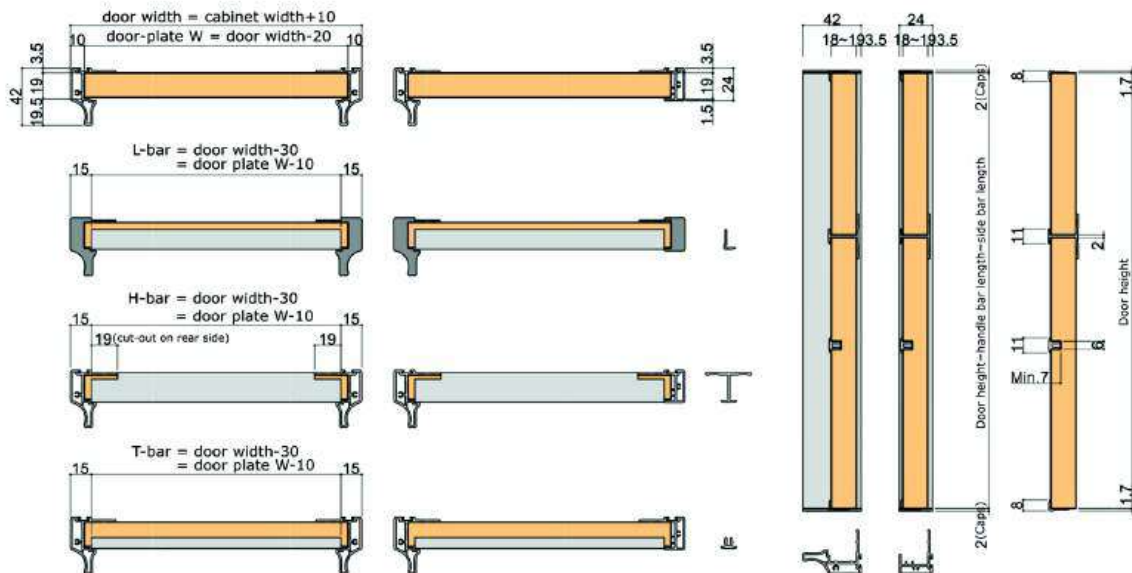
DOOR HANDLE PROFILE SYSTEM

PRODUCT OVER VIEW

SPECIFICATION



MACHINING DETAIL



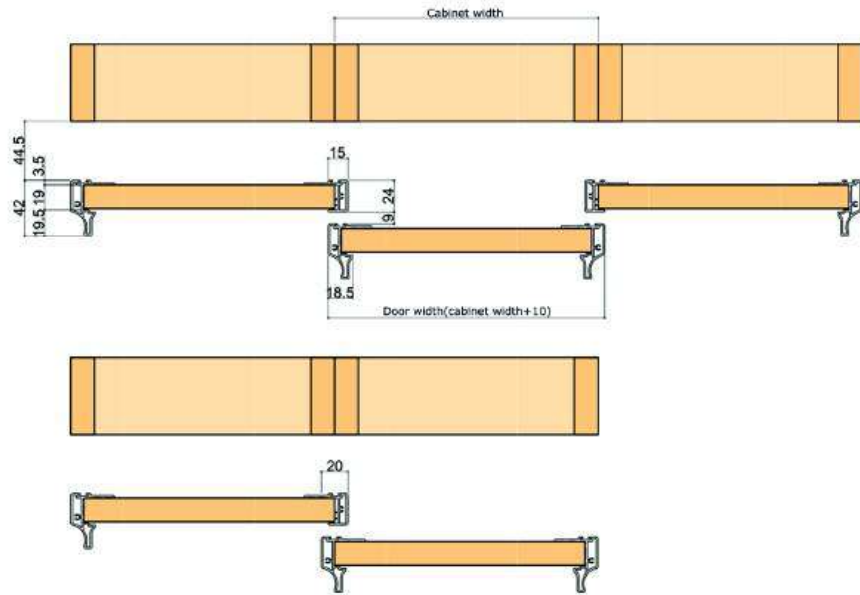


DOOR HANDLE PROFILE SYSTEM

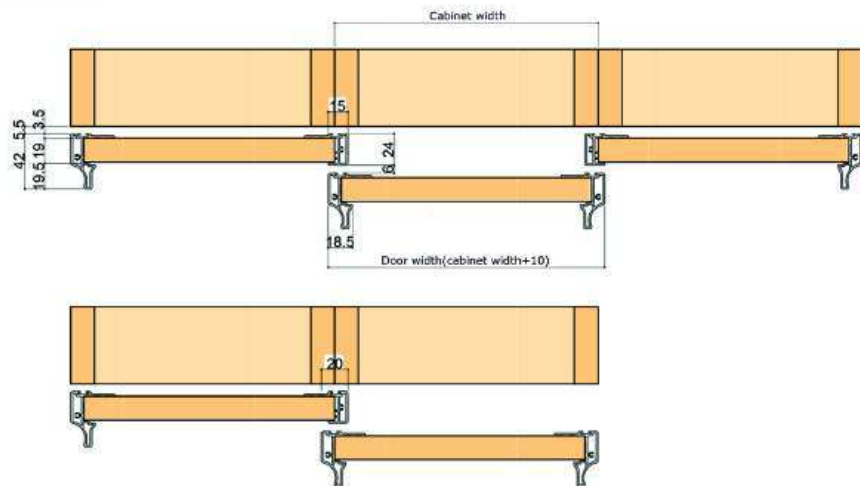
DOOR HANDLE PROFILE SYSTEM

DOOR HANDLE LAYOUT CHART

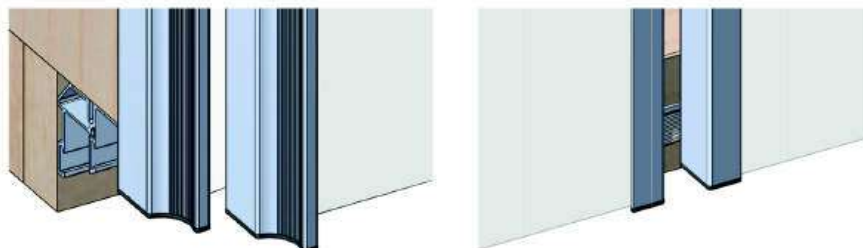
PLUTO/ FRONT TYPE

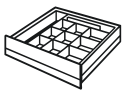


URANOS/ UPPER TYPE



Handle / side bar





PUSH TO OPEN FITTING

Features

- Can be used for aluminium and wooden shutters
- Maximum height: 2700 mm
- Maximum width: 600 mm
- Weight capacity: 20 kg per shutter



ARTICLE CODE	DESCRIPTION	QTY.	UNIT	PU
5018020	Push To Open- Heavy Duty Damping System With 6 Non Spring Hinges	1	Set	1

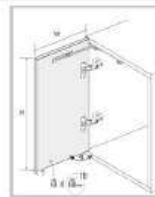
ONE TOUCH PUSH OPENING AND SOFT CLOSING DOOR SYSTEM

Attention:

1. Before using this product, please read the function introduction and operation manual carefully, and use it according to the correct method.
2. In case of any abnormality in the process of using the product, please ask the professional installation personnel or the manufacturer for help in time.
3. It is forbidden to disassemble this product by non-professional personnel. Unauthorized disassembly of this product may cause accidental injury.
4. Our company will not be responsible for any abnormality or accident caused by failure to operate according to the operation instructions.

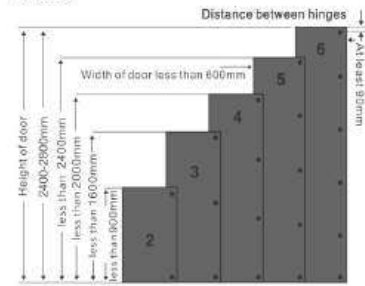
OT- one touch push self opening and soft closing door system adopted door size

	Light version	Heavy version	Ultra heavy version
Δ	$\leq 7.5 \text{ Kg}$	$\leq 20 \text{ Kg}$	$\leq 25 \text{ Kg}$
W	$\leq 600 \text{ mm}$	$\leq 2700 \text{ mm}$	$\leq 2800 \text{ mm}$
H	$\leq 700 \text{ mm}$	$\leq 600 \text{ mm}$	$\leq 600 \text{ mm}$
\angle	$\leq 110^\circ$		



The quantity of unsprung hinges for the door

The quantity of hinges depends on the width, the height and the weight of door. Please take the drawing to the right for reference.



1 Check whether the accessories are complete according to the following list, and carefully read and follow the contents of the warning label

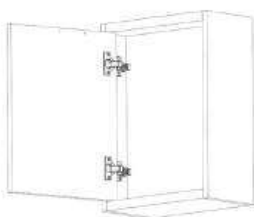
Accessory Name	Sketch	Quantity
OT main part accessory		1
Chute accessory		1
Wooden screw M4x16		4

Accessory Name	Sketch	Quantity
Pan head wood screw M4X14		2
Activator cover		2
Chute installation screw cover		2
Screw hole positioning paper		2

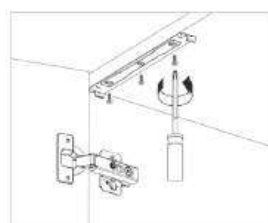
2 Take out the OT main part accessory, pull the crank to the rear and keep it in this direction, then remove the mounting bracket from the OT



3 Install the matched hinge, and adjust the door to open and close smoothly (the gap is required to be about 2mm)



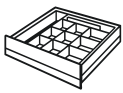
4 Install the mounting bracket on the top plate of the cabinet with the arrow pointing outwards and fix it with three M4 countersunk head screws. Installation parameters are as follows (or punch holes according to the positioning paper)



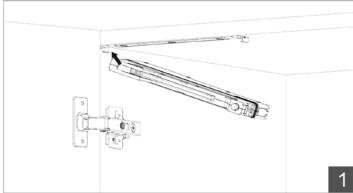
Installation data as below:

Remark: T is the door panel thickness

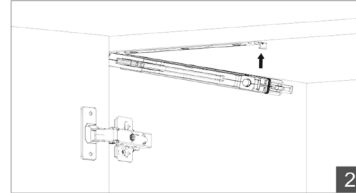
Full Overlay Installation Data	Side panel	170 101 32 12.5	Top panel
Half Overlay Installation Data	Side panel	179 110 41 12.5	Top panel
Insert Installation Data	Side panel	188 119 50 12.5+T	Top panel



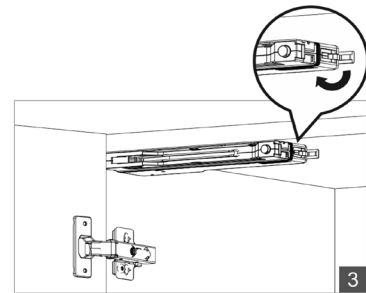
5 Install the main body of the OT on the mounting bracket and fasten the clamping position on the main body to the corresponding clamping position on the mounting bracket



Press the other side of the main body upward into the other side of the mounting bracket for bucking



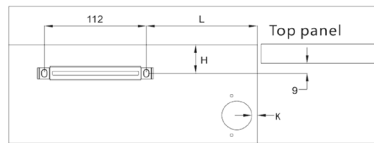
Move the crank from the rear to the front.



6 Install the chute assembly on the door panel with the following installation parameters, or punch according to the positioning paper

Installation parameter: L value changes according to cover position and K value, refer to the following table for details;

$H=T+9+h$, (T for thickness of top panel; h for the height difference between the top of the door panel and the top of the top panel. (Note: If the top of the door panel is flush with the top of the top panel, $h=0$; if the door panel is higher than the top panel h is positive number; if the door panel is lower than the top panel, h is a negative number)



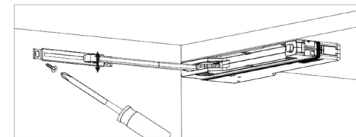
Installation data as below

L K	16	17	18	19	20
3	76	77	78	79	80
4	77	78	79	80	81
5	78	79	80	81	82

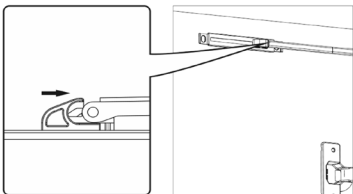
7 Release the putter until it is fully open. Check whether the chute is relatively parallel to the putter.

According to the parameter table, drive the M4x14 pan-head wood screw into the wood board for installation

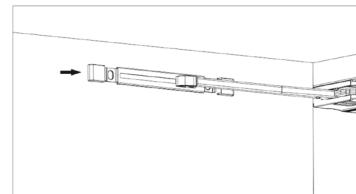
(Note: During the release of the push rod, please follow the warning label.)



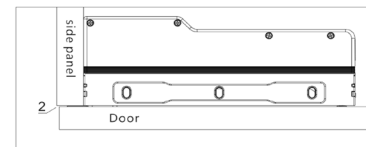
8 Put the end of the push rod into the chute part and push the slider to buckle state according to the picture as show in below



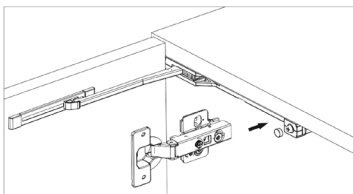
9 Push the cover of the chute into the rail by following the arrow direction for installation



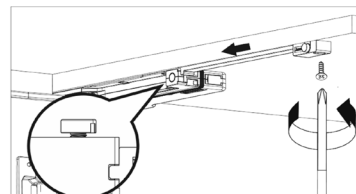
10 Close & open the OT in several rounds by normal touch, and check whether the function is normal (The stretching length of the trigger screw can be adjusted according to the sensitivity or the requirement of the door gap)



11 After confirming that the function is normal, tighten the screw in one cycle, and then push the screw cover by follow the arrow direction to cover the screw



12 (optional) push the extension activator component into the specified slot along the arrow direction, and install it with M4 x 20 pan head wooden screws.



POCKET SLIDES

Designed for smooth and space-saving functionality, Samsung Irex **Pocket Slides** ensure effortless drawer movement with a sleek, concealed mechanism. Engineered for durability and precision, they provide stable performance, easy installation, and a clean aesthetic—making them the perfect choice for modern furniture solutions.



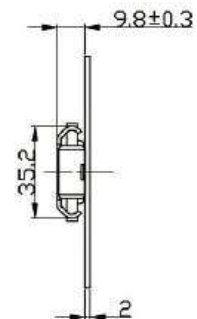
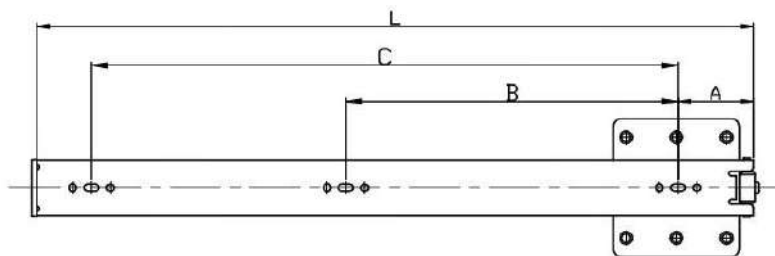
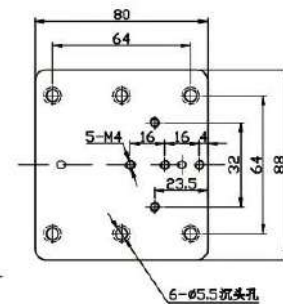
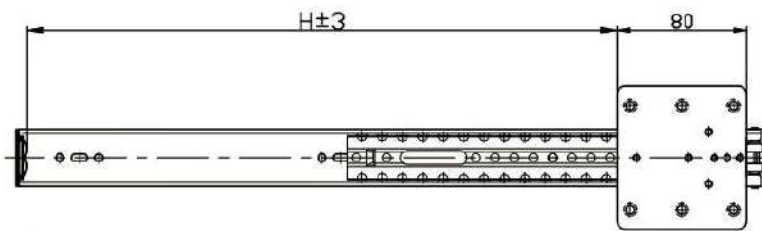


POCKET SLIDE



Features

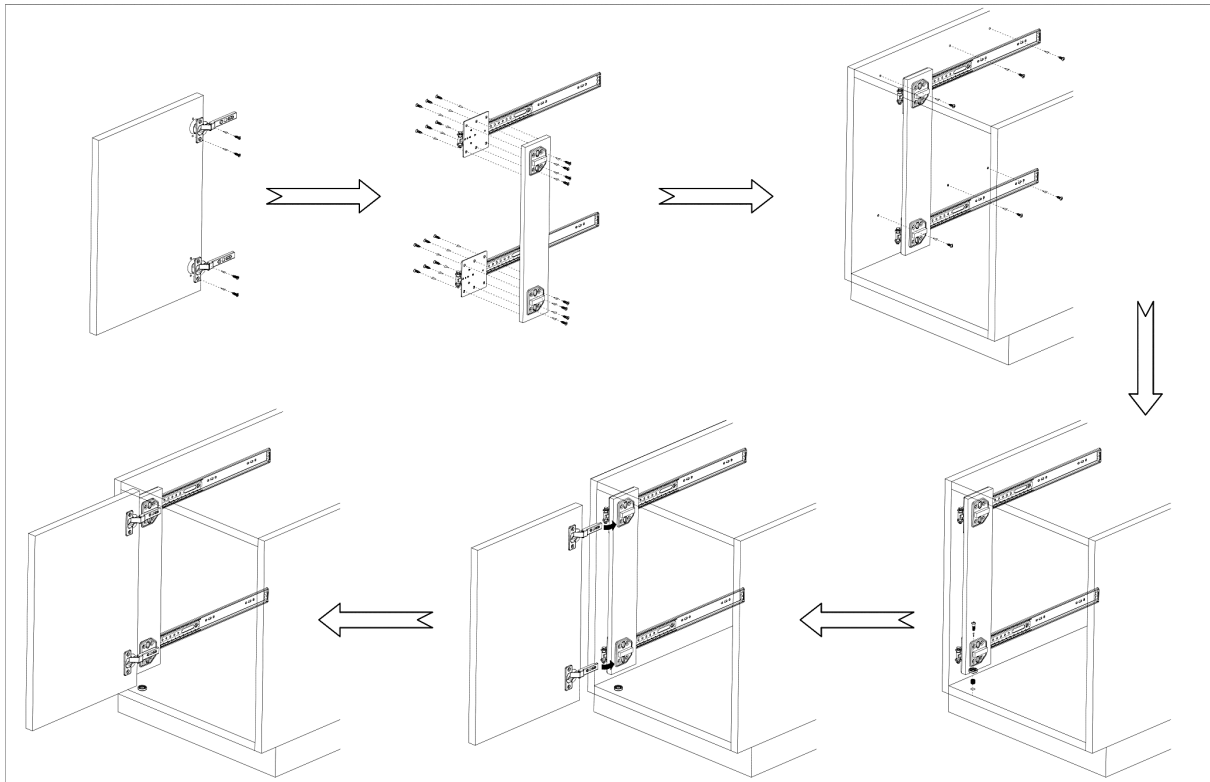
- Length: 12"-24"
- Height: 35.2mm
- Slide Space: 9.8mm
- Load: 35kg
- Finish: Clear Zinc plating
- Optional: Yellow Zinc plating, Black E-coating
- Packing: 8 sets/carton (no screws)



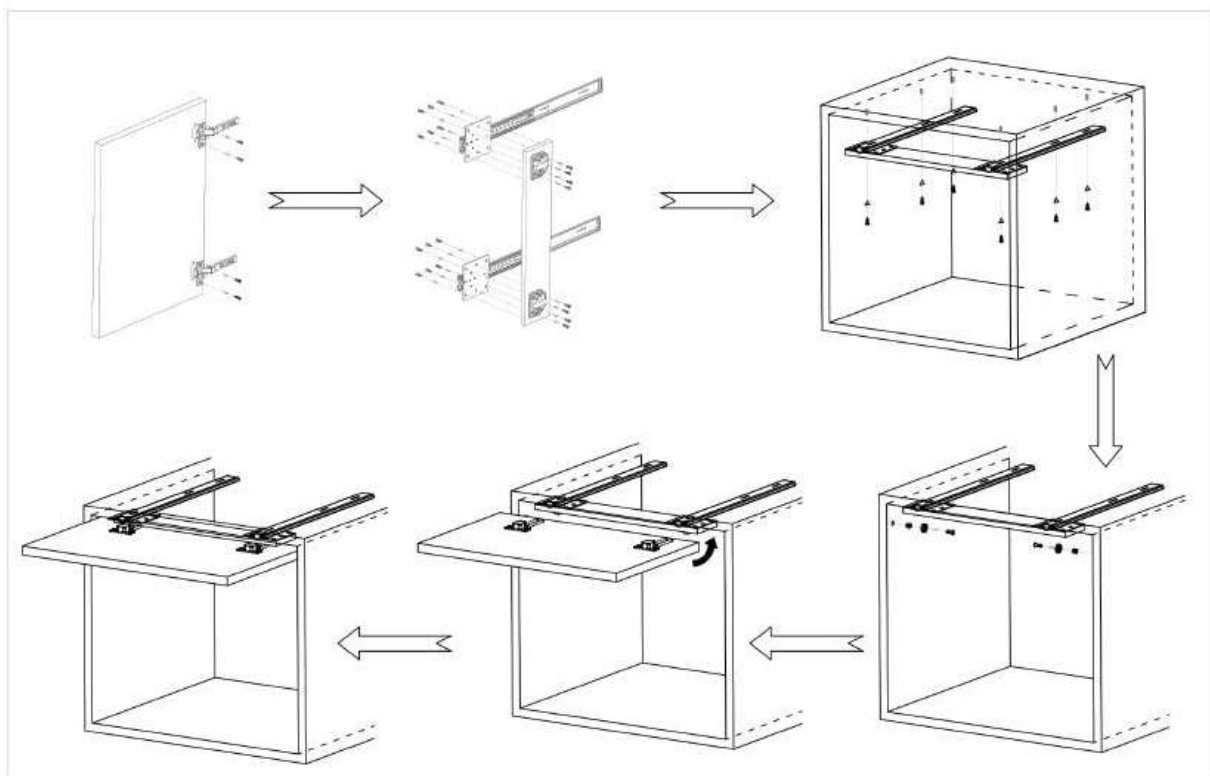
ARTICLE CODE	DESCRIPTION	QTY.	UNIT	PU
5019300	Pocket Door Slide BBS- 300mm	1	Set	8
5019350	Pocket Door Slide BBS- 350mm	1	SEt	8
5019400	Pocket Door Slide BBS- 400mm	1	Set	8
5019450	Pocket Door Slide BBS- 450mm	1	Set	8
5019500	Pocket Door Slide BBS- 500mm	1	Set	8
5019550	Pocket Door Slide BBS- 550mm	1	Set	8
5019600	POcket Door Slide BBS- 600mm	1	Set	8



Side door installation



Upper door installation



Lift-Up Fittings

Designed for smooth, space-efficient overhead storage, Samsung Irex **Bi-Fold Lift Systems** enable effortless upward opening with a controlled folding motion. Engineered with adjustable force and opening angles, they ensure stable performance across varying door sizes and weights. The precision-built mechanism delivers quiet, balanced movement, easy installation, and long-term durability, making it an ideal solution for modern modular kitchens and overhead cabinets.





BI-FOLD

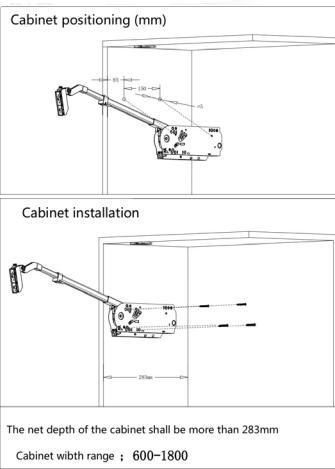
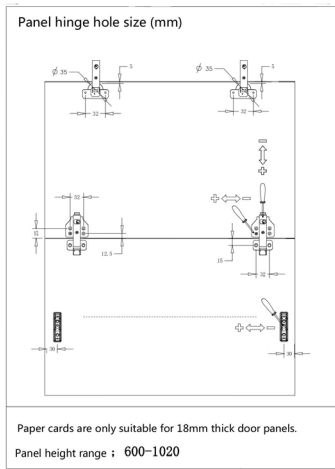


Features

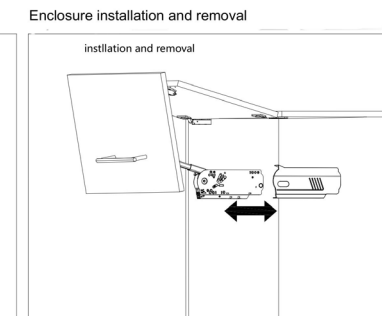
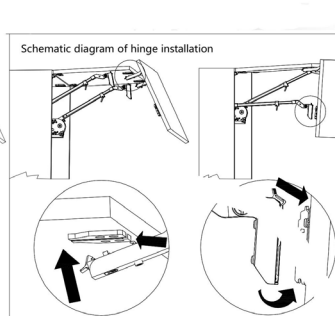
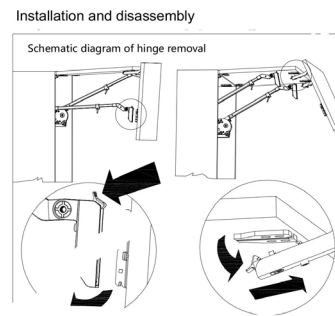
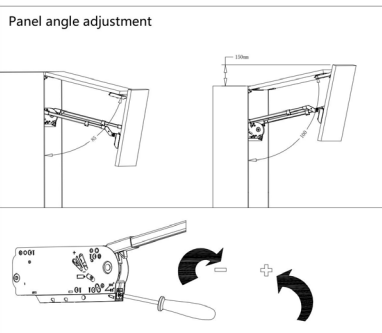
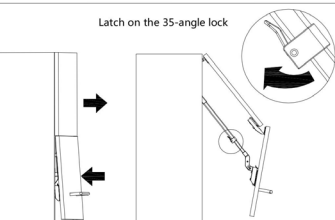
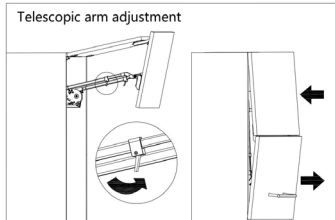
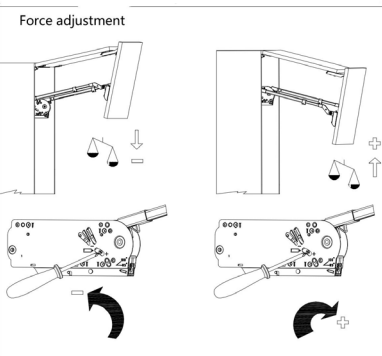
- Bi-Fold Opening Mechanism: Two-panel folding action allows cabinet shutters to open upward smoothly while occupying minimal overhead space.
- Adjustable Opening Angle: Opening angle can be precisely adjusted to suit cabinet height and user comfort, ensuring controlled movement.
- Smooth & Stable Motion: Engineered for balanced lifting, preventing sudden drops or jerks during opening and closing.
- High Load Bearing Capacity: Suitable for heavy wooden panels.
- Telescopic Arm Adjustment: Adjustable arm length ensures precise alignment and smooth folding action.

ARTICLE CODE	DESCRIPTION	QTY.	UNIT	PU
1040000	Bi-Fold Lift Up- SS-BF-L (4-11.5 kg)	1	Set	1
1040001	Bi-Fold Lift Up- SS-BF-H (5.5-17 kg)	1	SEt	1

Cabinet installation positioning size(mm)



The force is adjusted with the angle of the slab



One of the Leading Manufacturers of Premium Furniture Fitting Hardware.

with 45+ years of legacy.



Connect with us

 /samsung.irex

 1800 1204 920

 samsungirexindia.com

 care@samsungirexindia.com

Global HQ

Samsung Precision Ind. Co. Ltd.

Incheon, Seoul, South Korea 167,
Bongsu-daero, Seo-gu Incheon-Seoul,
South Korea

India

Samsung Irex India LLP

F-02, Unit 11 & 12, Emaar- The Palm
Square, Golf Course Extension Road
Gurugram, Haryana - 122101

Warehouse

Samsung Irex India LLP

Shed No. 4, DRS Warehousing
Village: Khijuri, NH - 48, Tehsil: Dharuhera;
District: Rewari, Haryana - 123401

Delhi Showroom

2nd & 3rd floor, F-2/10,
Okhla Industrial area Phase-I,
New Delhi - 110020

Display Center

Amritsar | Bangalore | Delhi |
Deoria | Faridabad | Gurugram | Guwahati |
Hyderabad | Kathua | Katni | Kathua |
Lucknow | Noida | Patiala | Ranchi

UAE

Samsung Precision Ind. Co. Ltd.

Amigos Aesthetic Building Materials Trading LLC
Dubai Investment Park 2
Plot no. 597-4232
P. O. Box 299842
Dubai

The fitting situations shown in this catalogue are only intended to illustrate the possible options.

The furniture manufacturer is responsible for ensuring that furniture is designed in compliance with standards, in particular with regard to meeting the requirements on safety.

We will be pleased to provide any further information you may require.

We reserve all rights to this catalogue under copyright law. It shall not be permissible to duplicate this catalogue in any form either in whole or in part without our written consent. Subject to technical alterations. Errors and omissions excepted. Subject to colour variations.